

2011

IP- BD75-5



| | |
|---|-----------|
| | 2 |
| 1.1. IP- | 2 |
| 1.2. IP- | 2 |
| 1.3. | 3 |
| 1.4. | 4 |
| 1.5. | 4 |
| 1. | 6 |
| 2. - | 7 |
| 2.1. | 7 |
| 2.1.1. <i>Получение доступа к камере при помощи технологии UPnP</i> | 7 |
| 2.1.2. <i>Получение доступа к камере при помощи ПО BEWARD IP Searcher</i> | 9 |
| 2.1.3. <i>Получение доступа к камере при помощи веб-браузера</i> | 11 |
| 2.2. ACTIVE X INTERNET EXPLORER..... | 12 |
| 2.2.1. <i>Удаление ActiveX для Internet Explorer</i> | 16 |
| 3. « | 18 |
| 4. « | 21 |
| 4.1. « | 21 |
| 4.2. « | 23 |
| 4.3. « | 26 |
| 4.3.1. <i>Основные сетевые настройки</i> | 27 |
| 4.3.2. <i>Дополнительные сетевые настройки</i> | 28 |
| 4.3.3. <i>Настройки UPnP</i> | 30 |
| 4.4. «DDNS» | 31 |
| 4.5. « | 32 |
| 4.5. «FTP» | 34 |
| 4.6. « / » | 35 |
| 4.7. « | 40 |
| 4.8. « | 41 |
| 4.9. « | 42 |
| 4.10. « | 43 |
| 4.11. « | 44 |
| 4.12. « | 45 |
| 4.13. « | 46 |
| 5. « | 48 |
| 5.1. « | 48 |
| 5.2. « | 50 |
| 5.3. « | 51 |
| 5.4. « | 52 |
| 5.5. « | 53 |
| 6. «PTZ»..... | 56 |
| 6.1. « | 56 |
| 6.2. « | 58 |
| 6.3. « | 59 |
| 6.4. « | 60 |
| 6.5. « | 61 |
| 6.6. « | 62 |
| 6.7. « | 63 |
| 6.8. « | 64 |
| 6.9. « | 65 |
| 6.10. « | 67 |
| 6.11. « | 68 |
| 6.12. « | 69 |
| 7. « | 71 |

1.1.

IP-

IP- BEWARD BD75-5

IP- BEWARD BD75-5

- .264 MJPEG,

. .264

. MJPEG



. 1

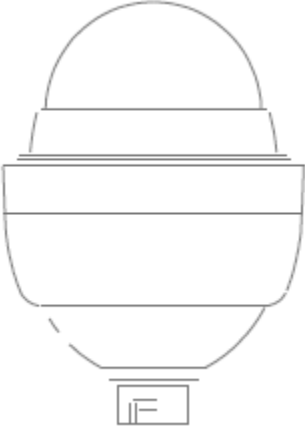
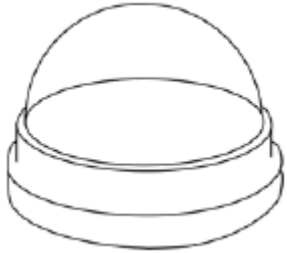
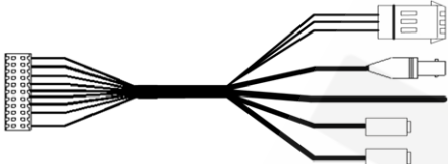





1.2.




IP-

IP66.

- / : 35 /12x.
- D1 (720 576).
- .264 MJPEG.
- / - .
- - .
- 2D/3D Noise Reduction.

1.3.

| | | |
|---|--------------------|----------|
|  | <p>-</p> | <p>1</p> |
|  | | <p>1</p> |
|  | <p>(, ') . ,</p> | <p>1</p> |
|  | <p>TORX .</p> | <p>1</p> |
|  | <p>TORX (M5)</p> | <p>1</p> |
|  | <p>(M5)</p> | <p>1</p> |
|  | <p>TORX (M3)</p> | <p>1</p> |
|  | <p>(M3)</p> | <p>1</p> |

| | | |
|---|-------------|---|
|  | | 1 |
|  | | 1 |
|  | CD- (). | 1 |

1.4.

- IP- : 192.168.0.250.
- : 255.255.255.0.
- : 192.168.0.254.
- : Admin .
- : 1234.

1.5.

IP- BEWARD BD75-5 –
, ,
Ethernet.

BD75-5

BEWARD IP Visor (« BEWARD IP Visor»)
BEWARD Record Center (« BEWARD Record
Center»),

BD75-5

BEWARD

1.

| | |
|---|--|
| | |
| | Intel Pentium IV 3 (Intel Core2 Duo 2) |
| | 64 RAM DirectDraw |
| | 1 |
| | 10Base-T (10 /) 100Base-TX (100 /) |
| | Windows XP, Vista, Windows 7 |
| - | Internet Explorer 7.0 |

2.

BD75-5

Windows 7

Windows 7

Internet Explorer
Internet Explorer 8.0,

8.0.

Windows.

2.1.

1:

-
-
-

UPnP.

BEWARD IP Searcher.

2:

2.1.1.

UPnP

UPnP

IP-

UPnP

IP-

Windows Vista, Windows 7

UPnP

IP-

BEWARD BD75-5

UPnP

1:

[

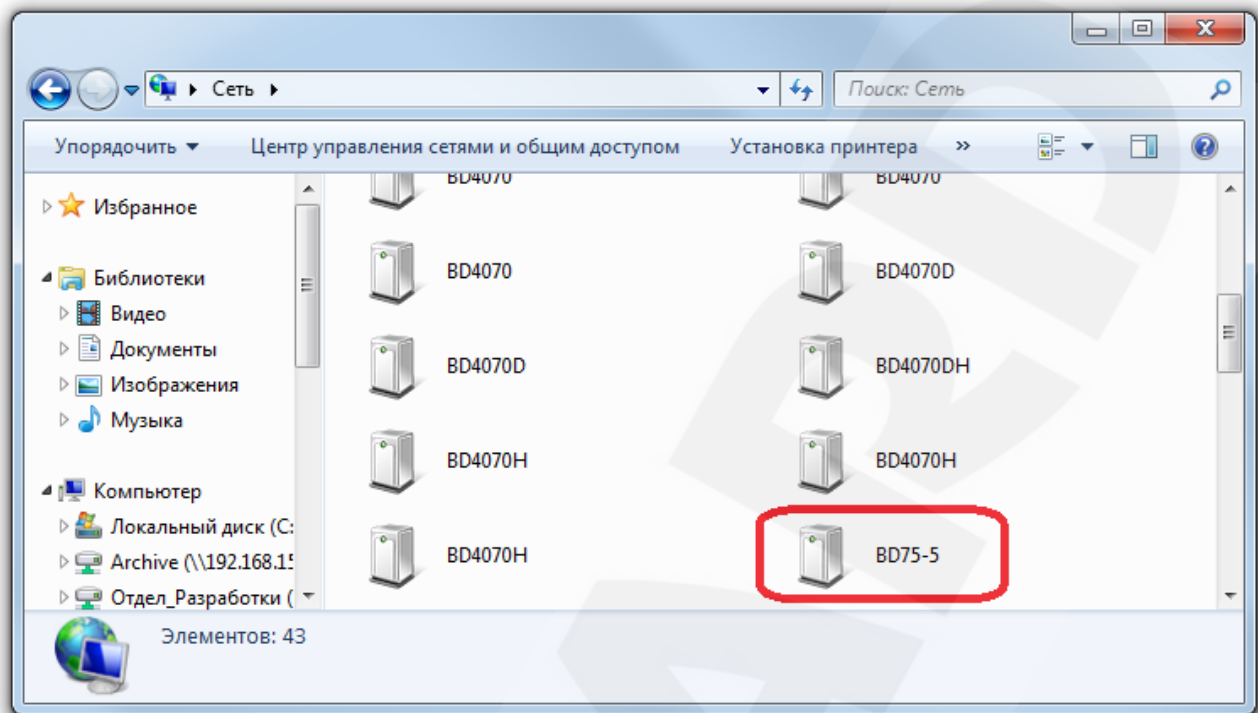
]

[

].

2:

(.2.1).

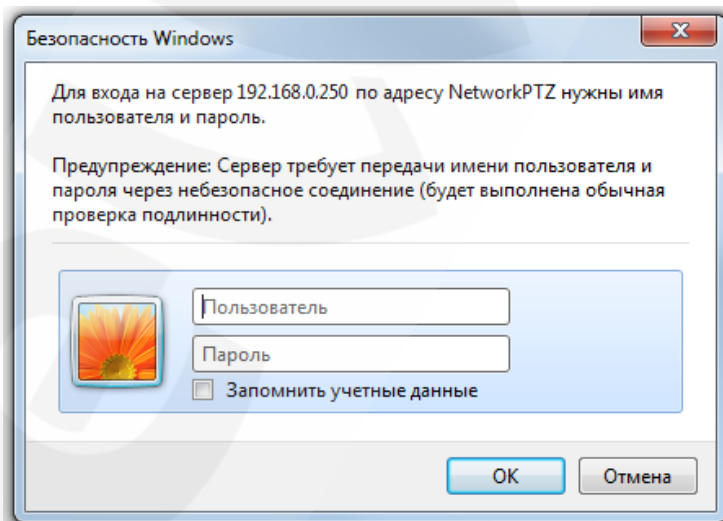


. 2.1

3: Internet Explorer

4:

[] (. 2.2).



. 2.2

– «Admin», – «1234».

!

Security.: **System –****[RESET]**IP-
10-15

ActiveX,

ActiveX.

Windows

IP-

2.1.2.**BEWARD IP Searcher**

1:

BEWARD IP Searcher.

!

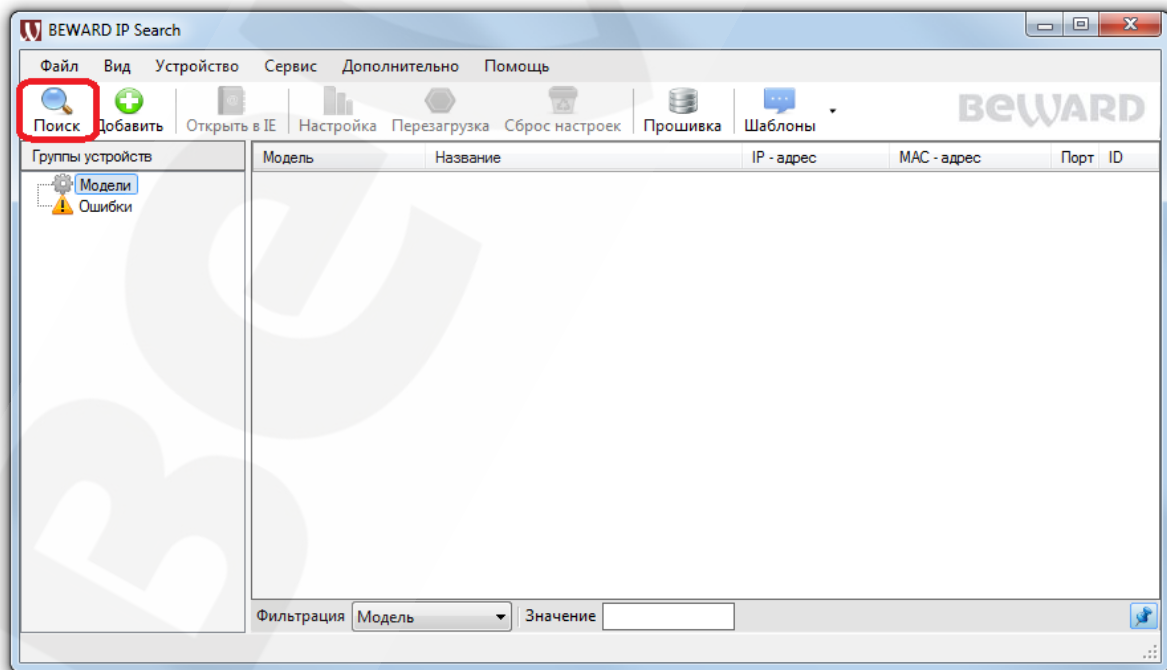
BEWARD IP Searcher».

«

2:

[] (. 2.3).

!



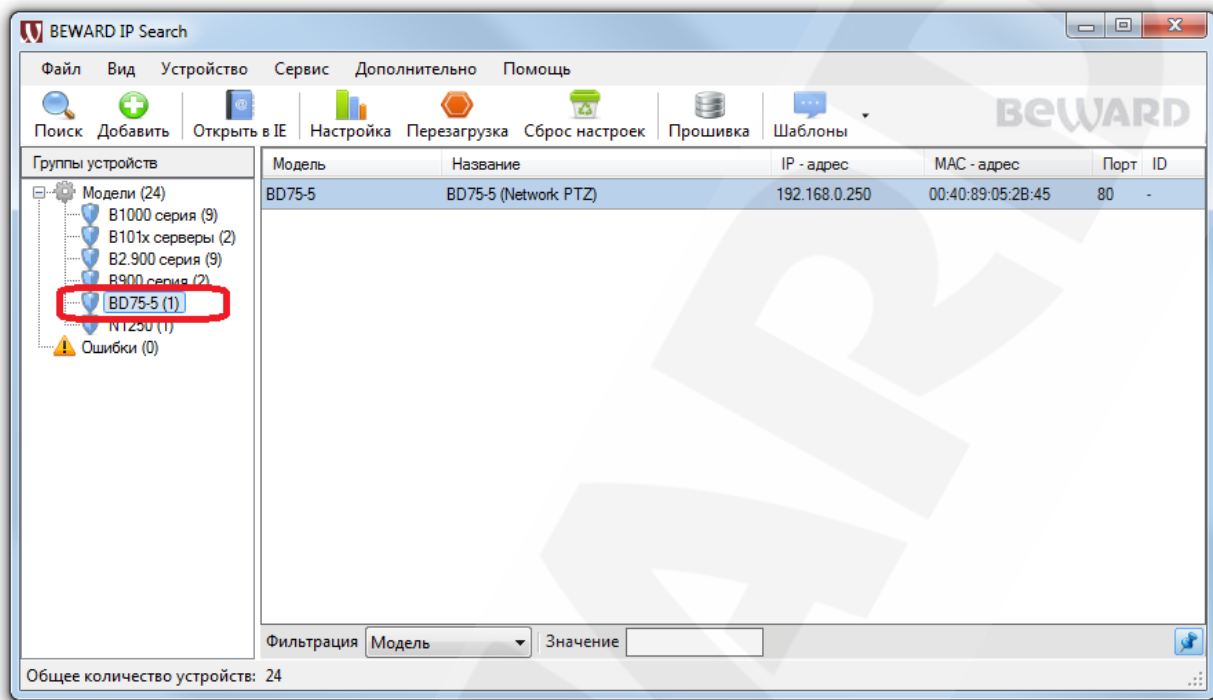
. 2.3

3:
5» (. 2.4).

«

»

«BD75-

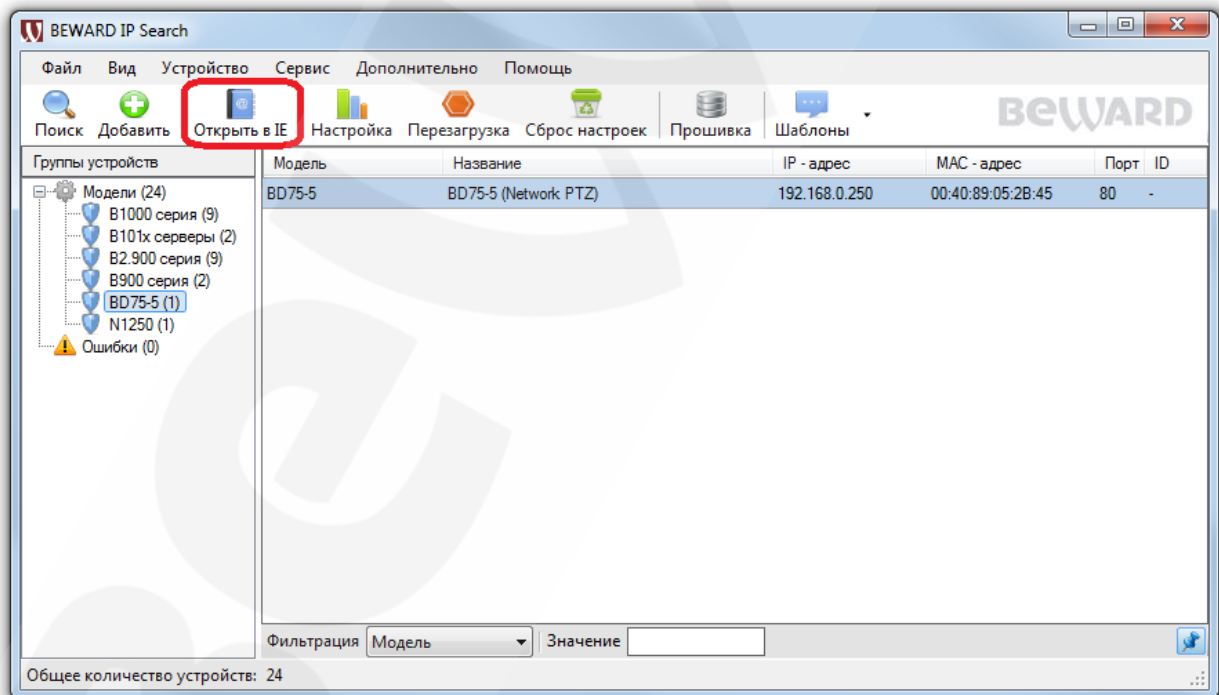


. 2.4

4:

[

IE] (. 2.5).



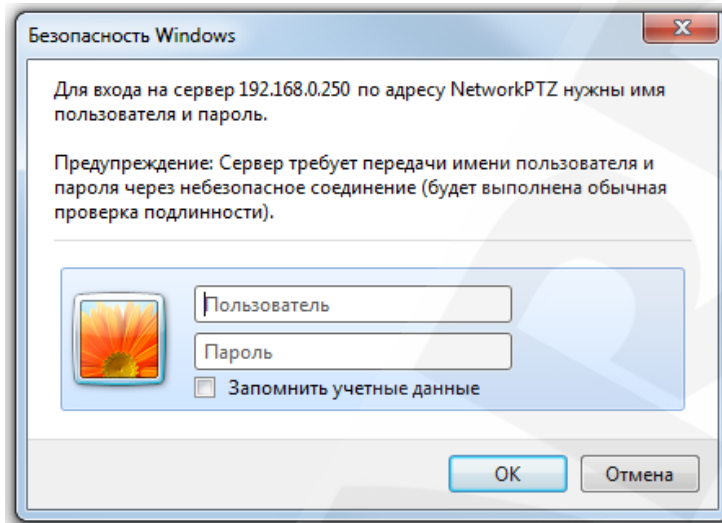
. 2.5

5:

Internet Explorer

6:

[] (. 2.6).



. 2.6

– «Admin», – «1234».

Security.

[RESET]

IP-
10-15

: System –

ActiveX,

ActiveX.

Windows

IP-

2.1.3.

!

IP-

HTTP-

<http://<IP>:<PORT>/>,

<IP> - IP-

, <PORT> - HTTP-

HTTP-

80,

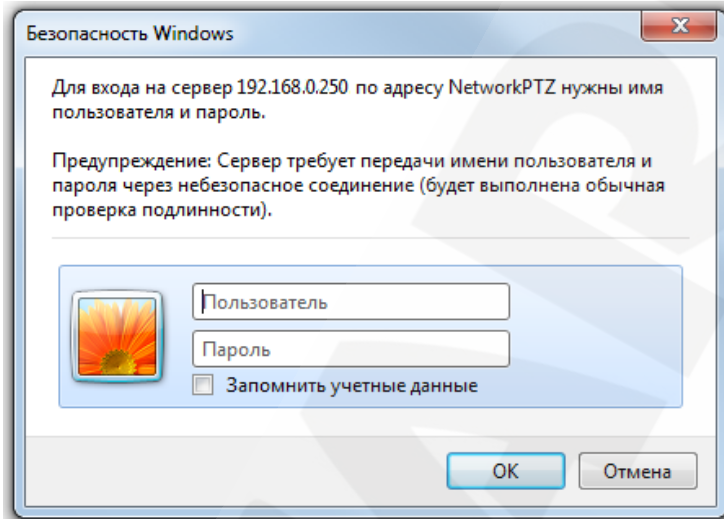
<http://<IP>/>.

1:

Internet Explorer,

IP-

! IP- – 192.168.0.250, HTTP- - 80.
 2: [](.2.7).

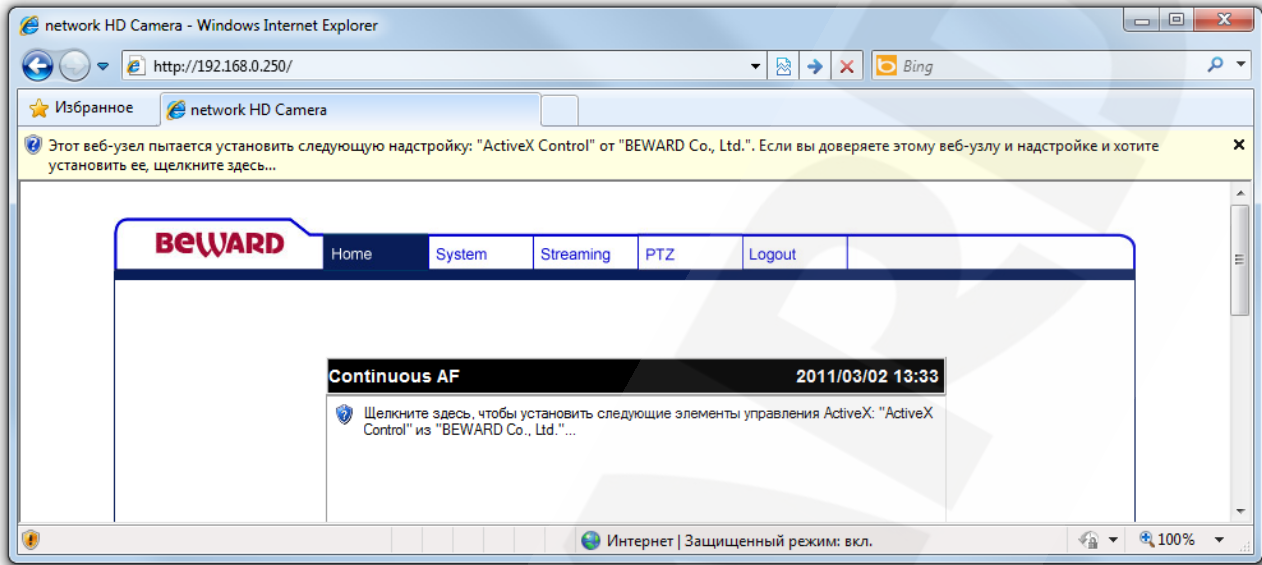


. 2.7

! – «Admin», – «1234».
 ! Security. IP- : System –
 [RESET] 10-15

ActiveX, Windows IP- ,
 ActiveX.
 2.2. ActiveX Internet Explorer
 IP- Internet Explorer
 ActiveX,
 1: : «
 : «ActiveX Control» «BEWARD Co., Ltd».

2.8.



. 2.8

2:

«

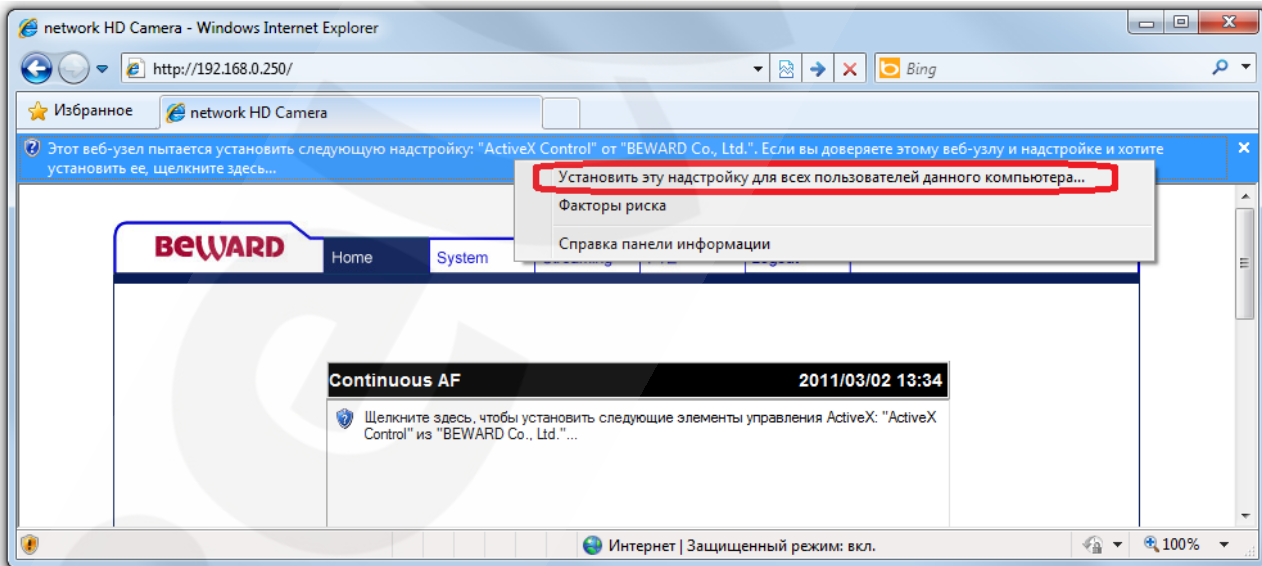
...».

«

ActiveX: «ActiveX Control»

«BEWARD Co., Ltd.»

...» (. 2.9).

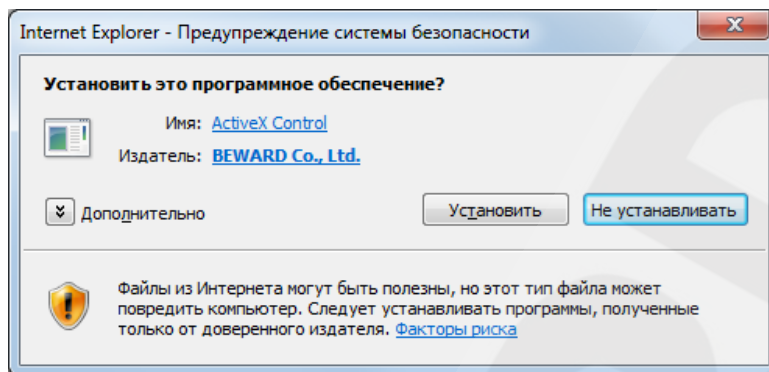


. 2.9

3:

[]

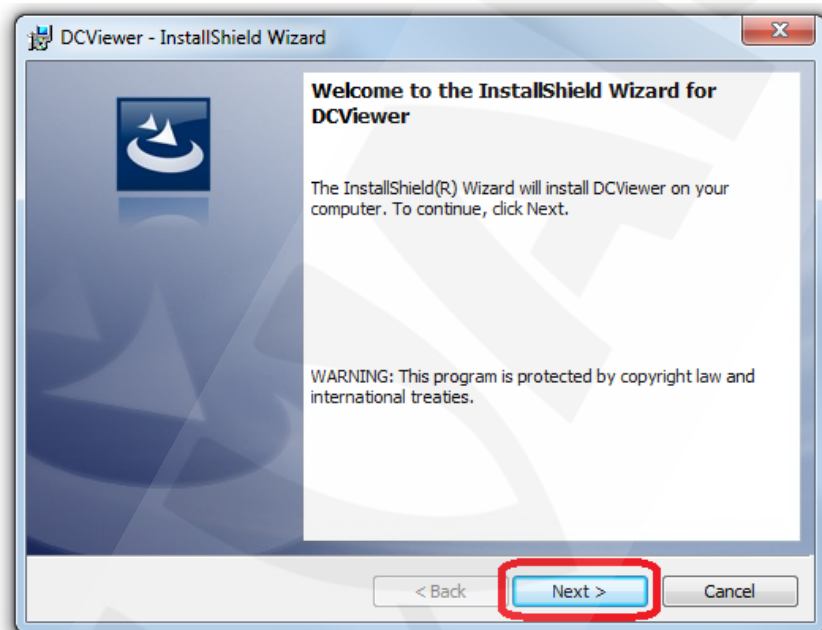
. (. 2.10).



. 2.10

4:

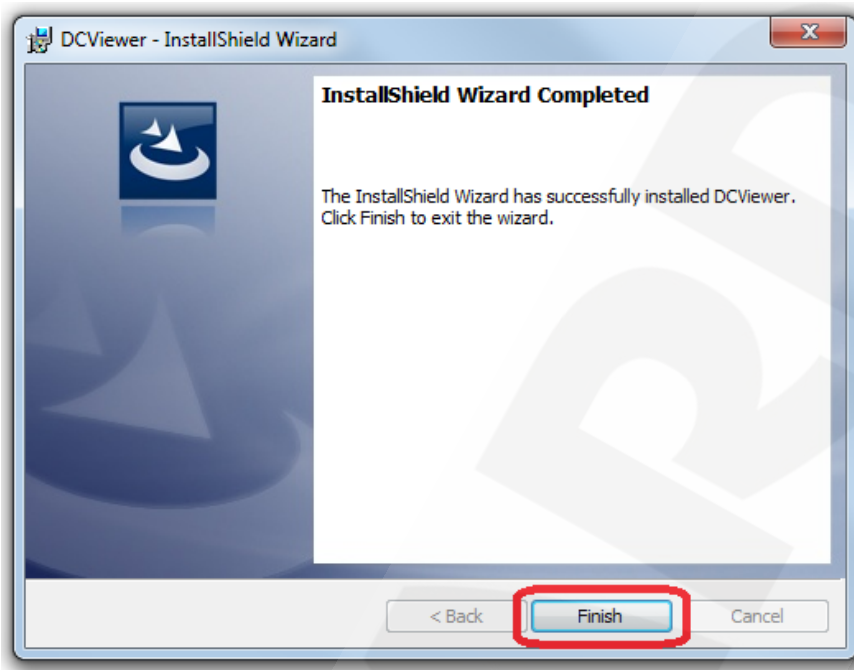
[Next]. (. 2.11).



. 2.11

5:

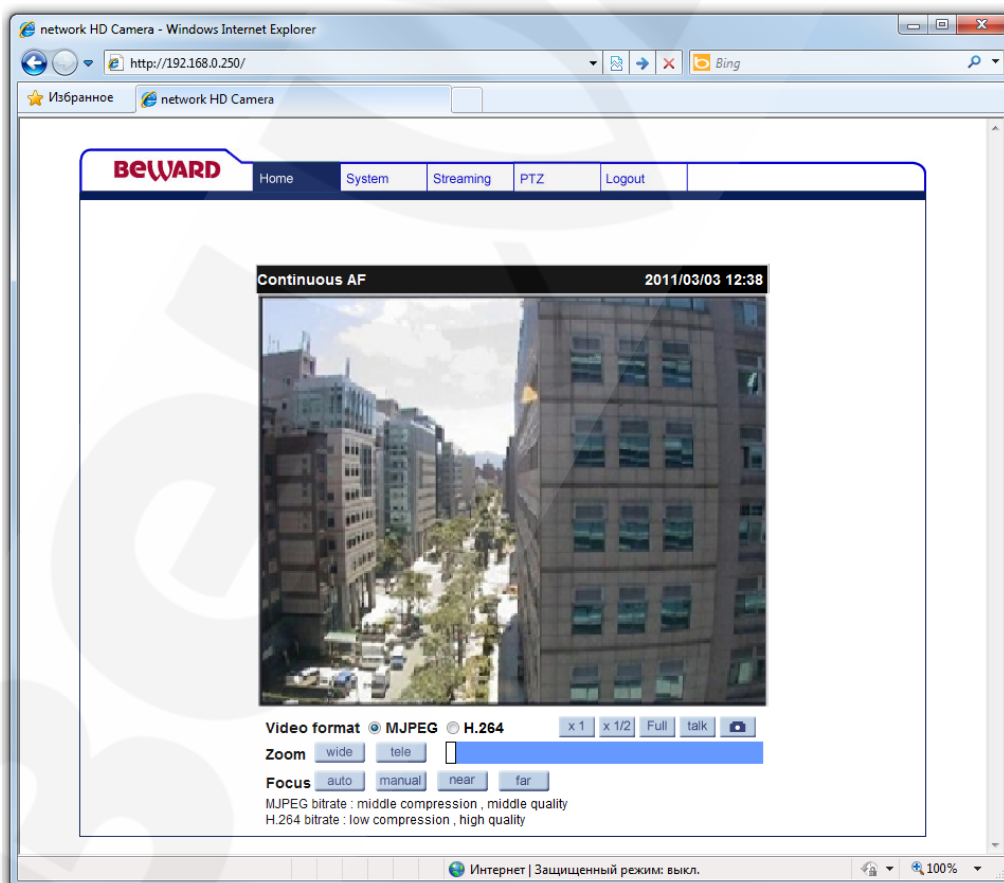
[Finish]. (. 2.12).



. 2.12

6:

. (. 2.13).



. 2.13

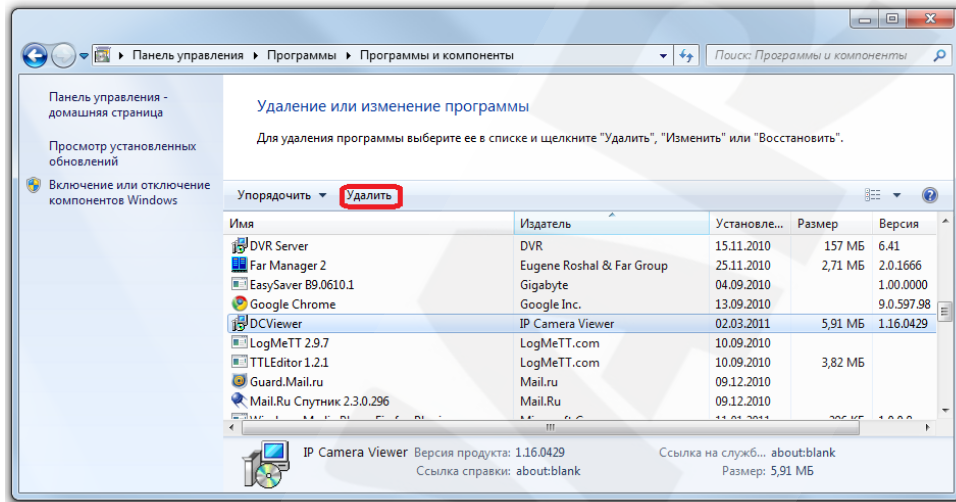
2.2.1. ActiveX Internet Explorer

ActiveX

1: - Internet Explorer.

2: («DCViewer»

[] (. 2.14).



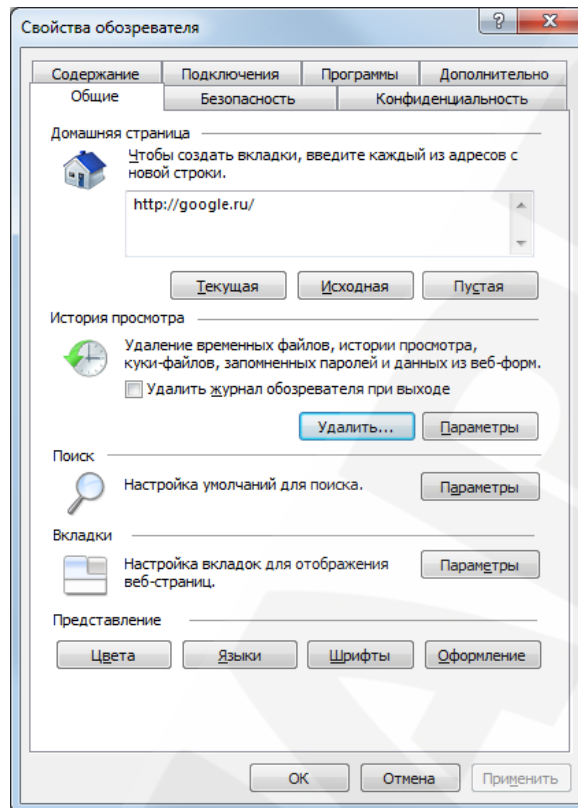
. 2.14

3:

4: - Internet Explorer.

» (-) « [] (.

2.15).



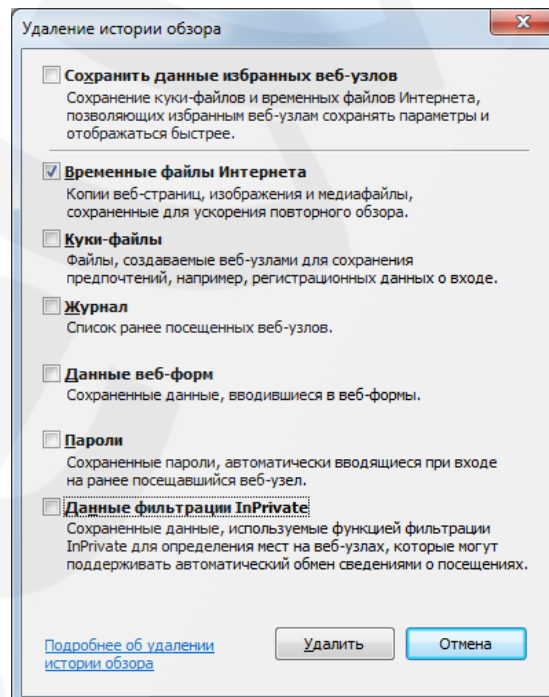
. 2.15

5:

«

»

[] (. 2.16).



. 2.16

6:

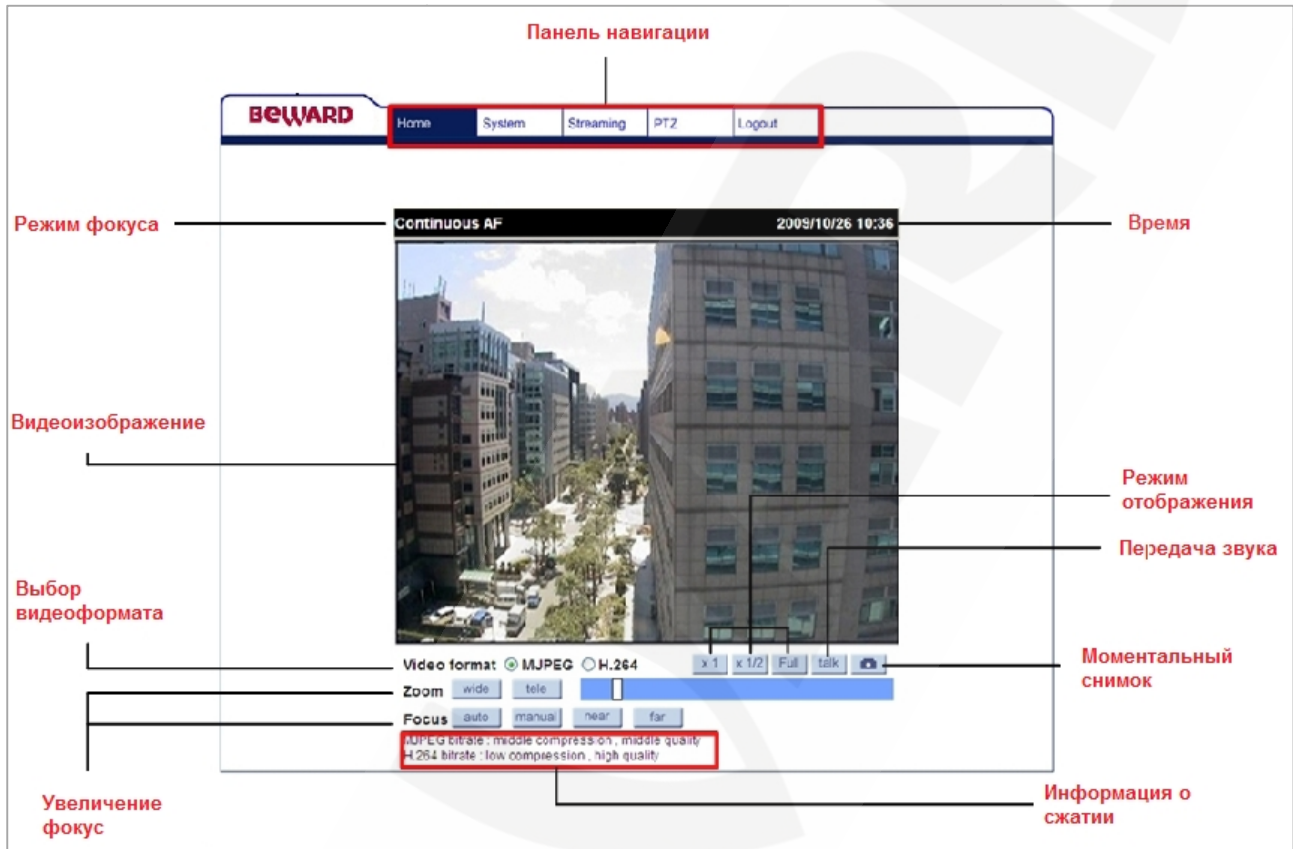
- Internet Explorer.

3.

«

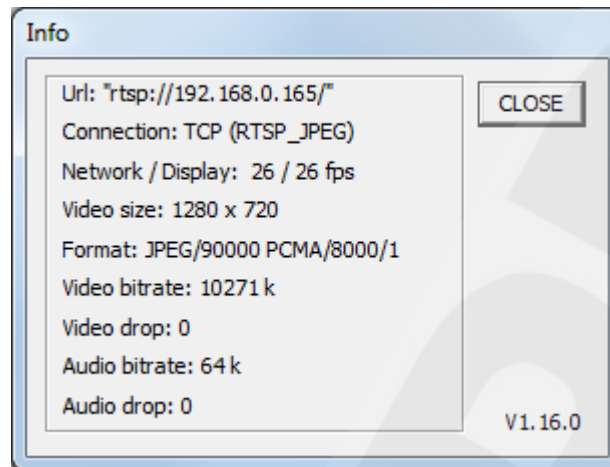
»

(. 3.1).



. 3.1

3.2).



. 3.2

- **URL:** URL
- **Connection:**
- **Network /Display:**
- **Video size:**
- **Format:**
- **Video bitrate:** (\).
- **Video drop:**
- **Audio bitrate:** (\).
- **Audio drop:**

- **«Full»:**

- **« 1 »:**

- **« 1/2 »:**

: /

!

(«Line In»), «Line Out»

:

()

,

:

,

:

—

:

()

:

[]

(. 3.4)

/

Zoom wide tele

[tele], [wide].

-
-

[], []

4.

, : [], [], [], [DDNS], [], [FTP],
 [\], [], [], [],
 [], [], [], [],
 [].

BEWARD Home System Streaming PTZ Logout

System

System

Host Name :

Time zone :

Sync with computer time

PC date: [yyyy/mm/dd]

PC time: [hh:mm:ss]

Manual

Date: [yyyy/mm/dd]

Time: [hh:mm:ss]

Sync with NTP server

NTP server: [host name or IP address]

Update interval:

. 4.1

4.1.

(. 4.2).

BEWARD Home System Streaming PTZ Logout

System

Host Name :

Time zone :

Sync with computer time

PC date: [yyyy/mm/dd]

PC time: [hh:mm:ss]

Manual

Date: [yyyy/mm/dd]

Time: [hh:mm:ss]

Sync with NTP server

NTP server: [host name or IP address]

Update interval:

. 4.2

BEWARD IP

Searcher, BEWARD IP Visor, BEWARD Record Center.

FTP-

40

NTP-

!

1

1

-
-
-

NTP-

• NTP-

IP-

NTP-

NTP-

: [, [, [] .

!

NTP-

[Time Zone].

!

NTP-

NTP

!

[,] .

(

).

4.2.

«

»

(. 4.3).

20

BEWARD Home System Streaming PTZ Logout

Security

Admin Password

Admin password

Confirm password Save

Add User

User name

User password

I/O access Camera control

Talk Listen Add

Manage User

User name -- no user -- Delete Edit

. 4.3

!
- 1234.

- Admin,

!

,

.

!

IP-

[RESET]

10-15

20

•

•

•

/

•

([Talk]).

•

:

([Listern]).

•

:

[

].

/

•

:

/

1:

[].

2:

[].

3:

([]).

!

20

1:

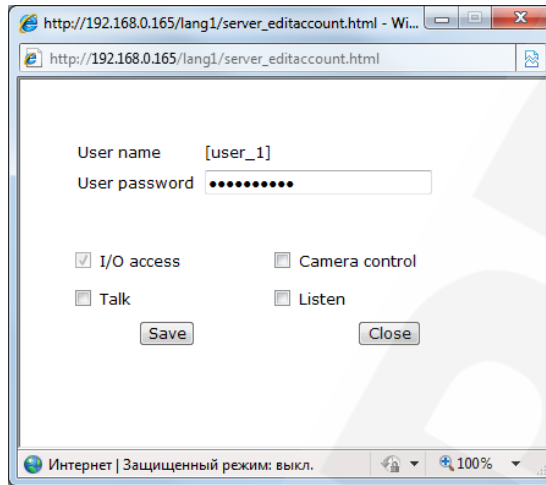
[].

2:

[].

3:

(. 4.4).



. 4.4

4:

[

].

5:

[

].

4.3.

«

»

4.5).

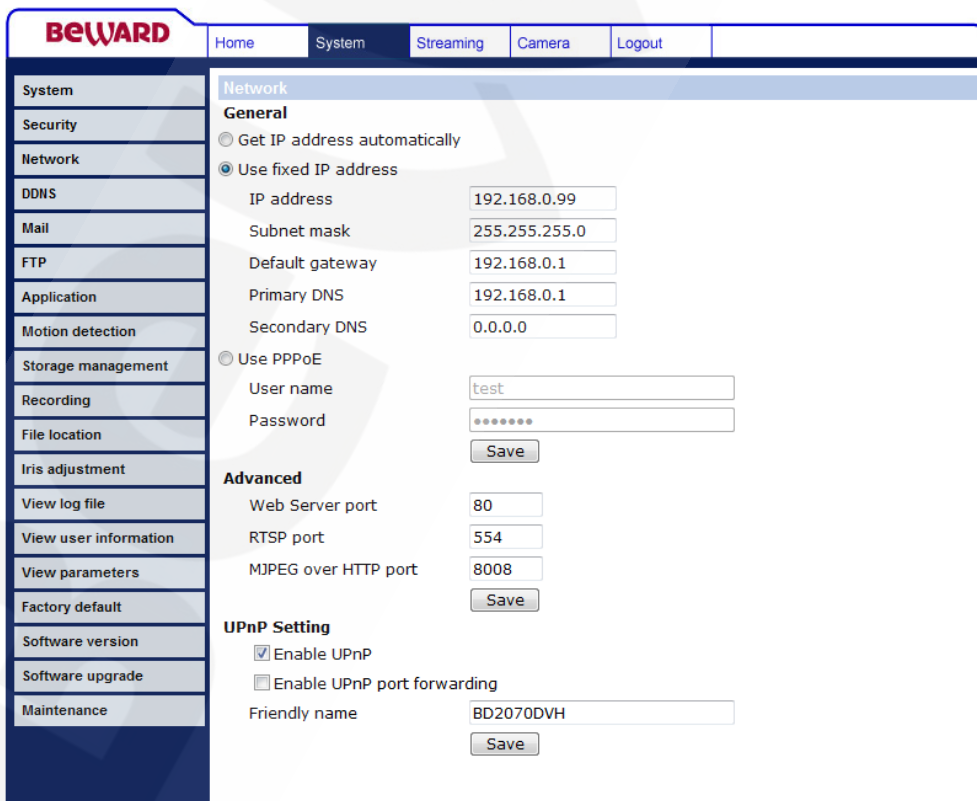
:

].

[

], [

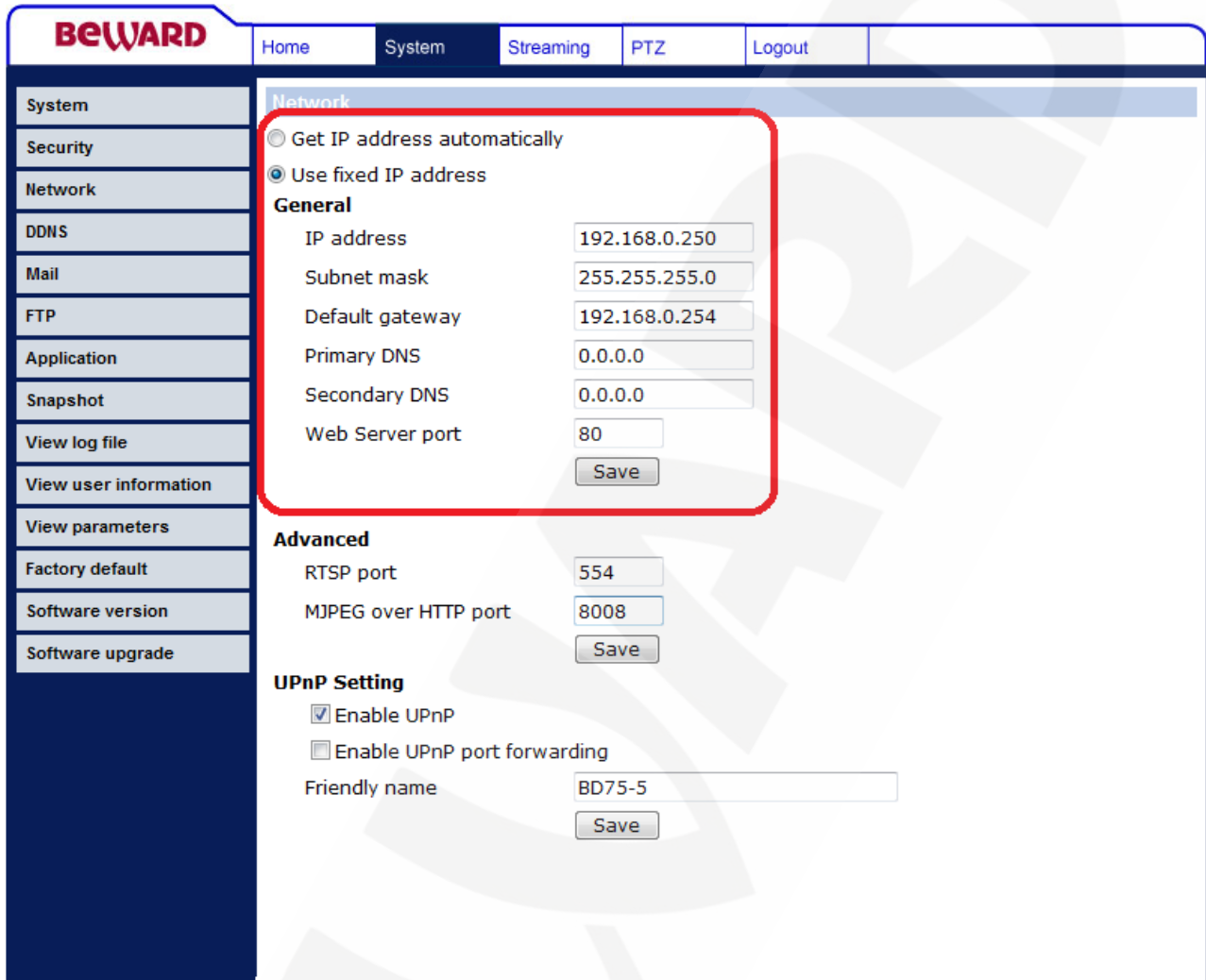
UpnP].



. 4.5

4.3.1.

(. 4.6):



. 4.6

IP- (DHCP):

DHCP-

DHCP-

IP- :

• IP- : IP-

• :

• :

• DNS- : IP- DNS-

• DNS- : IP- DNS-

HTTP- : HTTP-

80, - 80 1024 65535.

! HTTP- 80,
- : http://<IP>:<PORT>, <IP> - IP- , <PORT> - HTTP- .

[] (. 4.7).

Get IP address automatically
 Use fixed IP address

General

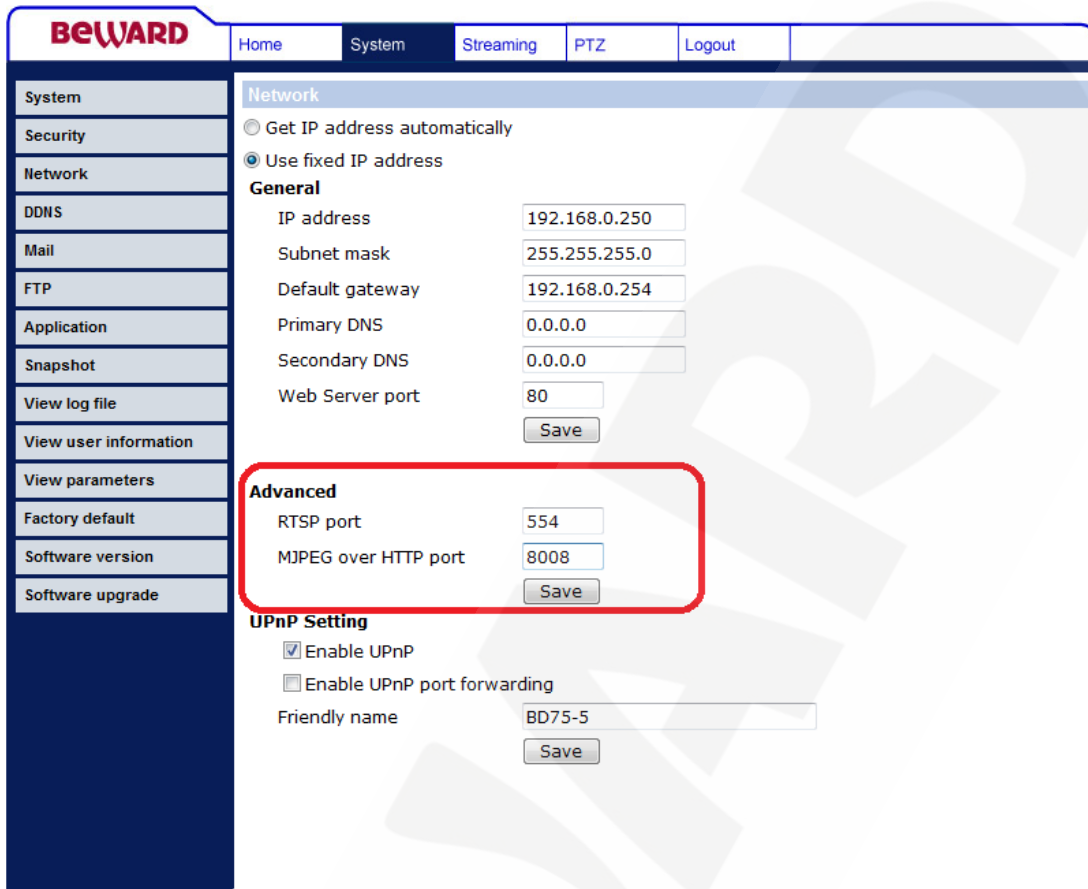
| | |
|-----------------|---------------|
| IP address | 192.168.0.250 |
| Subnet mask | 255.255.255.0 |
| Default gateway | 192.168.0.254 |
| Primary DNS | 0.0.0.0 |
| Secondary DNS | 0.0.0.0 |
| Web Server port | 80 |

Save

. 4.7

4.3.2.

(. 4.8).

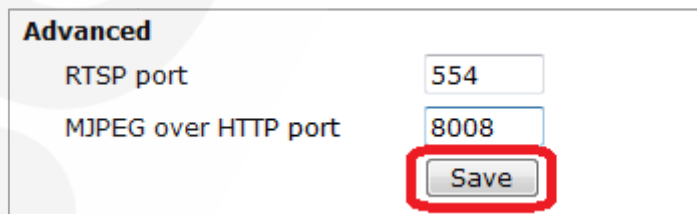


. 4.8

RTSP- : RTSP-
 RTSP. - 554, - 544 1024 65535.
 HTTP- MJPEG: MJPEG
 HTTP. - 8008, 1024 65535.

!

[] (. 4.9).

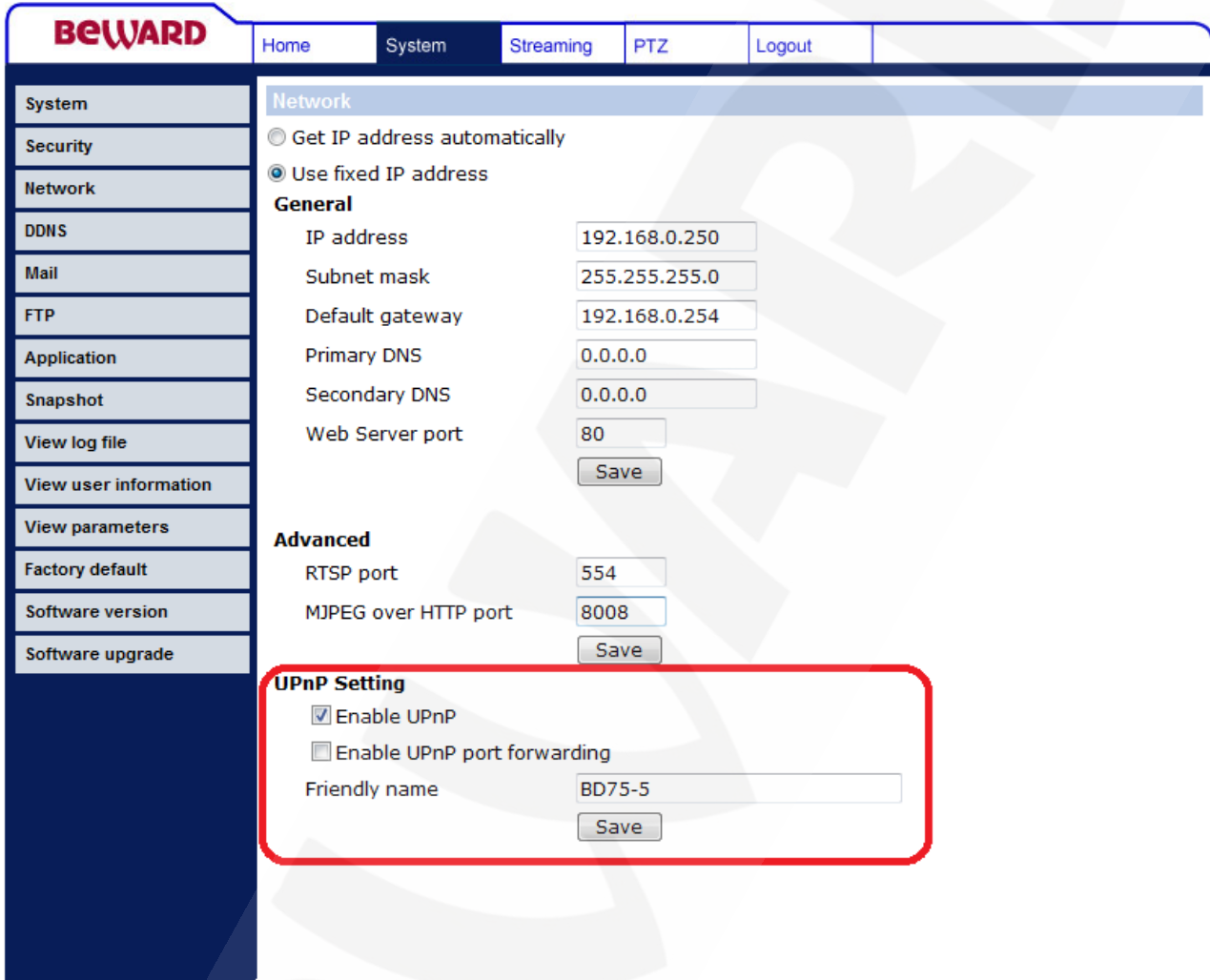


. 4.9

4.3.3.

UPnP

UPnP (. 4.10).



. 4.10

UPnP:

Plug&Play

MJPEG)

<IP> - IP-

, <PORT> - HTTP-

http://<IP>:<PORT>,

(HTTP- , RTSP- , HTTP-

Plug&Play.

UPnP

[

]

4.11).

UPnP Setting

Enable UPnP

Enable UPnP port forwarding

Friendly name

. 4.11

4.4. «DDNS»

DDNS (. 4.12).

BEWARD Home System Streaming PTZ Logout

DDNS

Dynamic DNS
Use Dynamic DNS If You Want To Use Your DDNS Account.

Enable DDNS

Provider

Host name

Username/E-mail

Password/Key

. 4.12

DDNS

IP-

IP-

www.camera1.

_ddns.org.

DDNS,

IP-

DDNS:

DDNS.

DDNS:

DDNS.

DDNS.

DDNS.

DDNS.

DDNS,

(

).

[

].

4.5.

«

»

(. 4.13).

. 4.13

Simple Mail Transfer Protocol (SMTP).

SMTP- : IP- SMTP-
 SMTP- : SMTP- - 25,
 - 25 1024 65535.
 : SMTP-
 : SMTP-

SMTP-

4.5. «FTP»

FTP- (. 4.14).

BEWARD

Home System Streaming PTZ Logout

System

Security

Network

DDNS

Mail

FTP

Application

Snapshot

View log file

View user information

View parameters

Factory default

Software version

Software upgrade

FTP

Built-in FTP server port 21

1st FTP server

1st FTP server port 21

1st FTP user name

1st FTP password

1st FTP remote folder

1st FTP passive mode

2nd FTP server

2nd FTP server port 21

2nd FTP user name

2nd FTP password

2nd FTP remote folder

2nd FTP passive mode

Save

. 4.14

FTP-

FTP.

FTP-

FTP- : IP-

FTP-

FTP- : FTP- . – 21,
 – 1 65535.

: FTP- .
 : FTP- .
 : FTP- (,).

– ipcam\example.

FTP-

[].

!

FTP-

4.6. « / »

IP- BD75-5 4 1 .

(. 4.15).

The screenshot shows the BEWARD web interface with a navigation menu on the left and a main content area. The main content area displays the 'Alarm Pin Selection' table.

| Alarm | Switch | Type | Actions |
|-------|--------|------|---------|
| 1. | None | None | None |
| 2. | None | None | None |
| 3. | None | None | None |
| 4. | None | None | None |

Below the table is an 'Edit' button.

. 4.15

[

],

(. 4.16).

BEWARD Home System Streaming PTZ Logout

System Security Network DDNS Mail FTP Application Snapshot View log file View user information View parameters Factory default Software version Software upgrade

Application

Alarm Pin Selection

| Alarm | Switch | Type | Actions |
|-------|--------|------|---------|
| 1. | None | None | None |
| 2. | None | None | None |
| 3. | None | None | None |
| 4. | None | None | None |

Edit

Alarm Pin3 Status

Alarm Switch
 Alarm Switch: Off Alarm Type: Normal close

Action

Enable Alarm output

Send Message by FTP Send Message by E-Mail

Upload Image by FTP Upload Image by E-Mail

Function: Preset Time:

File Name

File name:

Add date/time suffix

Add sequence number suffix (no maximum value)

Add sequence number suffix up to and then start over

Overwrite

Save

. 4.16

(. 4.17).

The screenshot shows the BEWARD web interface. On the left is a navigation menu with items: System, Security, Network, DDNS, Mail, FTP, Application, Snapshot, View log file, View user information, View parameters, Factory default, Software version, and Software upgrade. The main content area is titled 'Application' and contains two sections:

- Alarm Pin Selection:** A table with columns 'Alarm', 'Switch', 'Type', and 'Actions'. The table contains four rows, all with 'None' values. The third row is highlighted in blue. Below the table is an 'Edit' button.
- Alarm Pin3 Status:** A section containing:
 - Alarm Switch:** A dropdown menu set to 'Off' and an 'Alarm Type' dropdown set to 'Normal close'. This section is highlighted with a red rectangle.
 - Action:** A list of checkboxes: 'Enable Alarm output' (checked), 'Send Message by FTP', 'Send Message by E-Mail', 'Upload Image by FTP', and 'Upload Image by E-Mail'. There is also a 'Function' dropdown set to 'Preset' and a 'Time' input field.
 - File Name:** A 'File name' input field containing 'image.jpg', followed by radio button options: 'Add date/time suffix' (selected), 'Add sequence number suffix (no maximum value)', 'Add sequence number suffix up to 0 and then start over', and 'Overwrite'. A 'Save' button is at the bottom.

. 4.17

• : /

• : (,

• :).

(. 4.18).

The screenshot shows the BEWARD web interface. On the left is a navigation menu with options: System, Security, Network, DDNS, Mail, FTP, Application, Snapshot, View log file, View user information, View parameters, Factory default, Software version, and Software upgrade. The main content area is titled 'Application' and contains two sections:

Alarm Pin Selection

| Alarm | Switch | Type | Actions |
|-------|--------|------|---------|
| 1. | None | None | None |
| 2. | None | None | None |
| 3. | None | None | None |
| 4. | None | None | None |

Below the table is an 'Edit' button.

Alarm Pin3 Status

Alarm Switch
 Alarm Switch: Off (dropdown)
 Alarm Type: Normal close (dropdown)

Action (highlighted with a red box)

- Enable Alarm output
- Send Message by FTP
- Upload Image by FTP
- FTP address: FTP1 (dropdown)
- Pre-trigger buffer: 5 frames (dropdown)
- Post-trigger buffer: 5 frames (dropdown)
- Continue image upload
- Upload for 1 sec
- Upload during trigger active
- Image frequency: Max. (dropdown) fps
- Function: Preset (dropdown)
- Time: (input field)

On the right side of the Action section:

- Send Message by E-Mail
- Upload Image by E-Mail
- E-Mailaddress: E-Mail 1 (dropdown)
- Pre-trigger buffer: 5 frames (dropdown)
- Post-trigger buffer: 5 frames (dropdown)
- Continue image upload
- Upload for 1 sec
- Upload during trigger active
- Image frequency: Max. (dropdown) fps

At the bottom of the Action section is a 'File Name' input field.

. 4.18

- :
- FTP: "alarmmessage.txt" FTP-

: [] IP- , IP-

FTP- "alarmmessage.txt"

FTP:
"jpg".

- E-mail: : [] IP- , IP- ,
- E-mail: "jpg".
- : : [] , [] , [] , [] ,
- E-mail (. 4.19). FTP-

The screenshot shows the BEWARD web interface with a navigation menu on the left and a main content area. The main content area is divided into two sections: 'Alarm Pin Selection' and 'Alarm Pin3 Status'.

Alarm Pin Selection

| Alarm | Switch | Type | Actions |
|-------|--------|------|---------|
| 1. | None | None | None |
| 2. | None | None | None |
| 3. | None | None | None |
| 4. | None | None | None |

Alarm Pin3 Status

Alarm Switch
 Alarm Switch: Off
 Alarm Type: Normal close

Action

- Enable Alarm output
- Send Message by FTP
- Send Message by E-Mail
- Upload Image by FTP
- Upload Image by E-Mail
- Function: Preset
- Time: []

File Name (highlighted in red)

File name : image.jpg

- Add date/time suffix
- Add sequence number suffix (no maximum value)
- Add sequence number suffix up to 0 and then start over
- Overwrite

Buttons: Edit, Save

. 4.19

• / :

• ():

• :

• :

!

FTP e-mail
MJPEG!

!

[]

4.7.

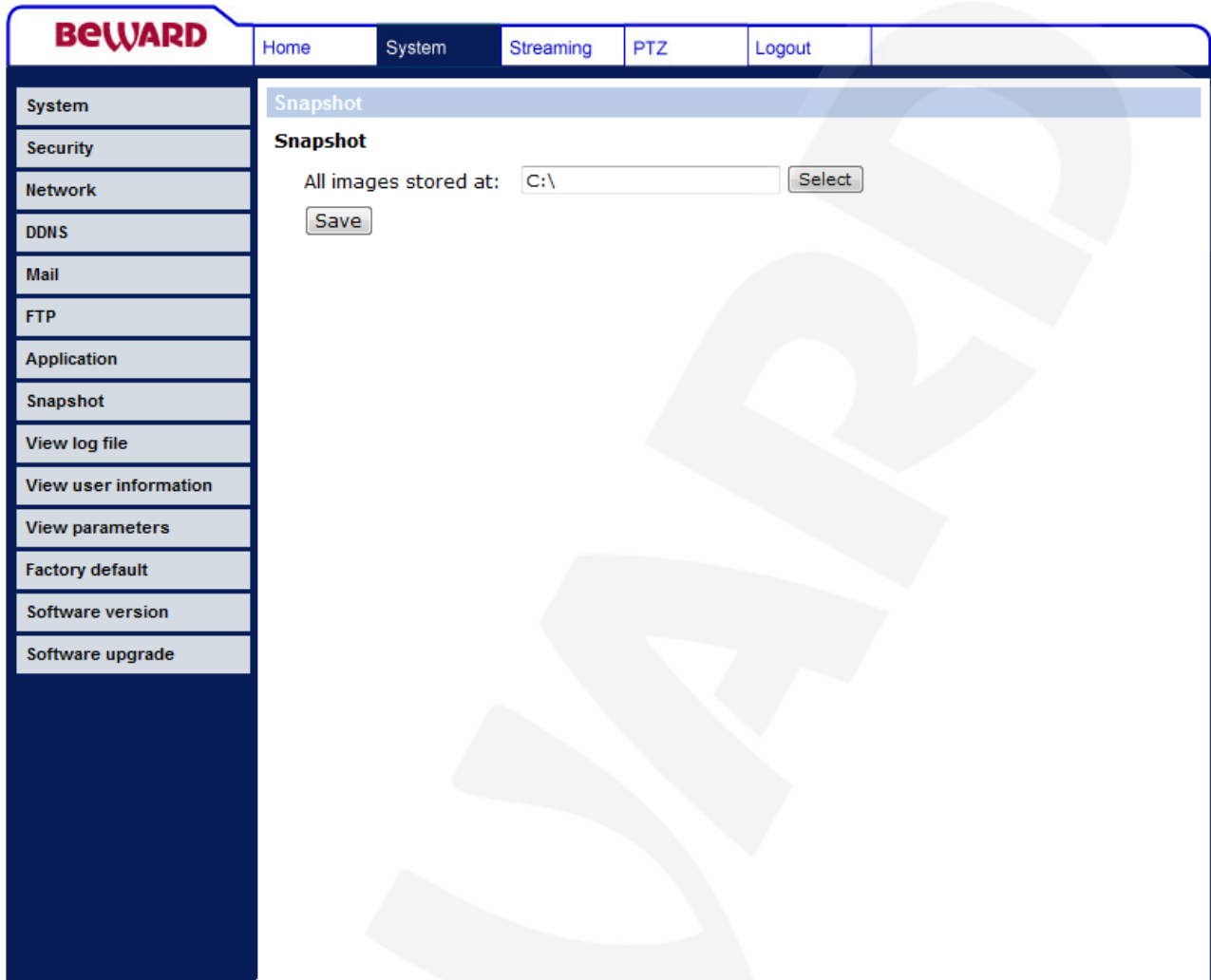
« »

()

(. 4.20).

:\,

[]



. 4.20

4.8.

«

»

(. 4.21).

The screenshot shows the BEWARD web interface. At the top, there is a navigation bar with the BEWARD logo and tabs for Home, System, Streaming, PTZ, and Logout. On the left side, there is a vertical menu with the following items: System, Security, Network, DDNS, Mail, FTP, Application, Snapshot, View log file, View user information, View parameters, Factory default, Software version, and Software upgrade. The main content area is titled 'System log' and displays a list of system events. The log entries are as follows:

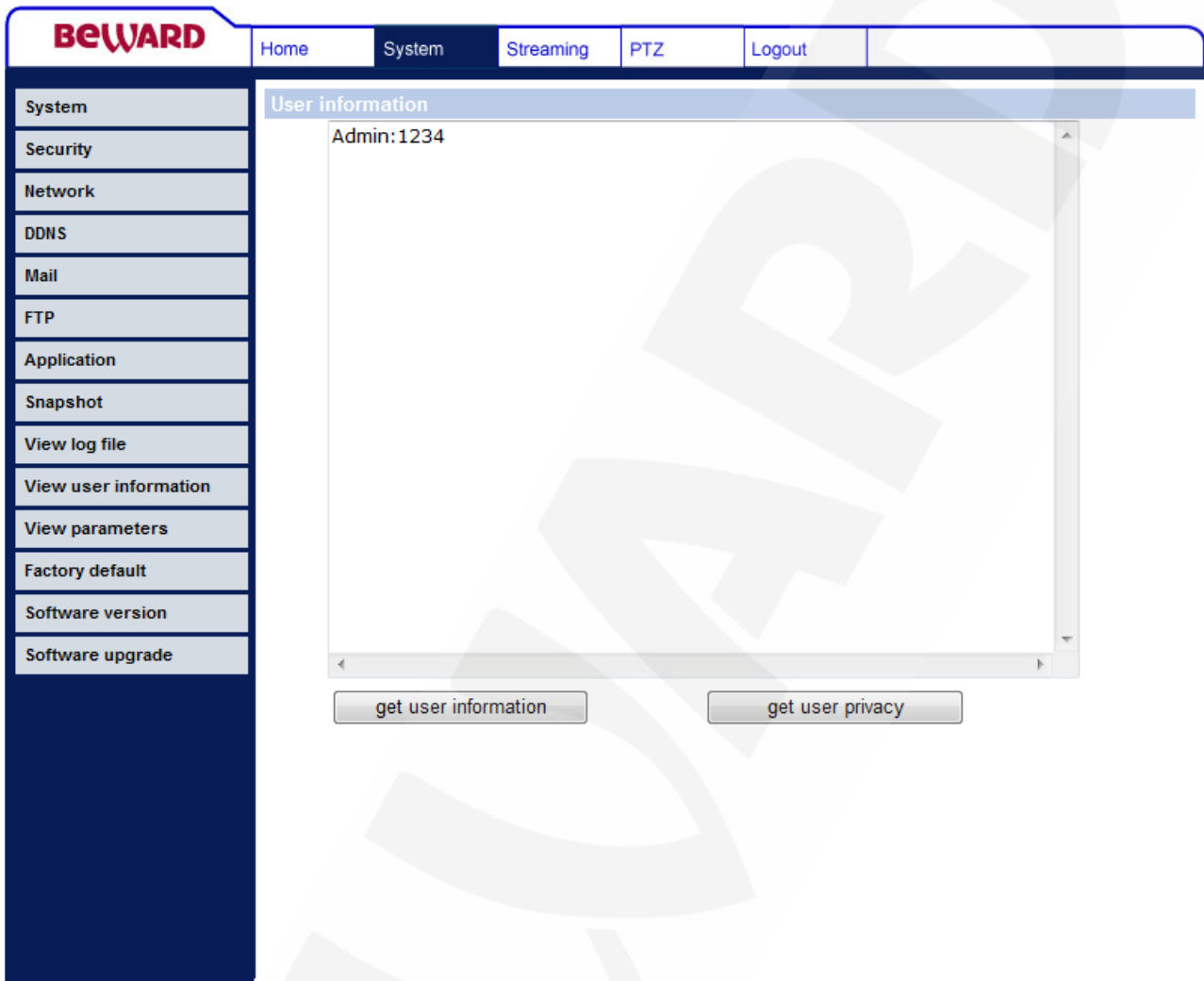
```
[Fri Feb 18 18:30:00 2011] --Network interface initialized start
[Fri Feb 18 18:30:01 2011] --Network interface initialized end
[Fri Feb 18 18:30:01 2011] --Host IP = 192.168.15.18
[Fri Feb 18 18:30:01 2011] --Subnet Mask = 255.255.255.0
[Fri Feb 18 18:30:01 2011] --Gateway = 192.168.0.254
[Fri Feb 18 18:30:01 2011] --MAC address = 00:D0:89:05:2B:45
[Fri Feb 18 18:30:30 2011] --connect by Admin@192.168.15.225
[Tue Feb 22 14:04:30 2011] --connect by Admin@192.168.15.230
[Wed Mar 2 11:40:45 2011] --connect by admin@192.168.15.92
[Wed Mar 2 11:40:48 2011] --connect by admin@192.168.15.92
[Wed Mar 2 11:40:52 2011] --connect by Admin@192.168.15.92
[Wed Mar 2 13:06:44 2011] --connect by Admin@192.168.15.92
[Wed Mar 2 13:13:38 2011] --connect by Admin@192.168.15.92
[Wed Mar 2 13:32:18 2011] --connect by admin@192.168.15.92
[Wed Mar 2 13:32:23 2011] --connect by Admin@192.168.15.92
[Wed Mar 2 13:36:05 2011] --connect by Admin@192.168.15.92
[Wed Mar 2 15:23:12 2011] --connect by Admin@192.168.15.92
[Thu Mar 3 09:09:48 2011] --connect by admin@192.168.15.92
[Thu Mar 3 09:09:51 2011] --connect by admin@192.168.15.92
[Thu Mar 3 09:09:52 2011] --connect by admin@192.168.15.92
[Thu Mar 3 09:09:56 2011] --connect by admin@192.168.15.92
[Thu Mar 3 09:10:04 2011] --connect by Admin@192.168.15.92
```

. 4.21

4.9.

« »

(. 4.22).



. 4.22

4.10.

(. 4.23).

The screenshot shows the BEWARD web interface. At the top, there is a navigation bar with tabs for 'Home', 'System', 'Streaming', 'PTZ', and 'Logout'. On the left side, there is a vertical menu with options: System, Security, Network, DDNS, Mail, FTP, Application, Snapshot, View log file, View user information, View parameters, Factory default, Software version, and Software upgrade. The main content area is titled 'Parameter list' and displays the 'Network PTZ Initial Configuration File'. The configuration text is as follows:

```
Network PTZ Initial Configuration File
=====
[Camera setting]
=====
exposure mode = <auto>
shutter speed = <12>
iris value = <6>
bright value = <11>
manual value = <6>
manual gain = <6>
white balance mode = <auto>
white balance rgain = <10>
white balance bgain = <19>
```

. 4.23

4.11. « »

(. 4.24).

The screenshot shows the BEWARD web interface. At the top, there is a navigation bar with the BEWARD logo and tabs for Home, System, Streaming, PTZ, and Logout. The 'System' tab is selected. On the left, a vertical menu lists various system settings: System, Security, Network, DDNS, Mail, FTP, Application, Snapshot, View log file, View user information, View parameters, Factory default, Software version, and Software upgrade. The 'Factory default' option is highlighted. The main content area displays the 'Factory default' settings page. It contains the text: 'Restore factory settings and lose any changes? System will restart and need installer program to setup network.' Below this text is a 'Set Default' button. Further down, it says 'Reboot the system.' with a 'Reboot' button.

. 4.24

4.12.

«

»

(. 4.25).

The screenshot shows the BEWARD web interface. At the top, there is a navigation bar with the BEWARD logo and tabs for Home, System, Streaming, PTZ, and Logout. The 'System' tab is active. On the left, a vertical menu lists various system settings: System, Security, Network, DDNS, Mail, FTP, Application, Snapshot, View log file, View user information, View parameters, Factory default, Software version, and Software upgrade. The main content area is titled 'Software version' and displays the text: 'The software version is **w20100824NS**'.

. 4.25

4.13.

« »

(. 4.26).

[].

[].

The screenshot displays the BEWARD web interface. At the top, there is a navigation bar with the BEWARD logo and menu items: Home, System, Streaming, PTZ, and Logout. A left sidebar contains a list of system management options: System, Security, Network, DDNS, Mail, FTP, Application, Snapshot, View log file, View user information, View parameters, Factory default, Software version, and Software upgrade. The main content area is titled "Upgrade" and contains the following instructions:

Follow These Steps To Do The Software Upgrade

Step1:
Upload the binary file

Step2:
Select binary file you want to upgrade

Step3:
Click the upgrade button to start the upgrade process

. 4.26

5.

[, : [], [], [], []

BEWARD Home System Streaming **PTZ** Logout

Video Format

Video Resolution :

- H.264 D1 (30fps) + MJPEG D1 (30fps)
- H.264 D1 (30fps) + MJPEG CIF (30fps)
- H.264 D1 (30fps) + H.264 D1 (30fps)
- H.264 D1 (30fps) + H.264 CIF (30fps)

Note :
Image attachment by FTP or E-mail will be available only while MJPEG streaming is selected.

Video Deinterlace :

- 3D Deinterlacing
- Intra Field Deinterlacing
- Inter Field Deinterlacing (off)

GOV Settings :

H.264-1 GOV Length :

H.264-2 GOV Length :

. 5.1

5.1.

(. 5.2).

BEWARD Home System Streaming **PTZ** Logout

Video Format

- Video Compression
- Video OCX Protocol
- Video Frame Skip
- Audio

Video Format

Video Resolution :

- H.264 D1 (30fps) + MJPEG D1 (30fps)
- H.264 D1 (30fps) + MJPEG CIF (30fps)
- H.264 D1 (30fps) + H.264 D1 (30fps)
- H.264 D1 (30fps) + H.264 CIF (30fps)

Note :
Image attachment by FTP or E-mail will be available only while MJPEG streaming is selected.

Video Deinterlace :

- 3D Deinterlacing
- Intra Field Deinterlacing
- Inter Field Deinterlacing (off)

GOV Settings :

H.264-1 GOV Length :

H.264-2 GOV Length :

. 5.2

GOV :

GOV

5.2. « »

(. 5.3).

. 5.3

MJPEG:

MJPEG.

- , .
- , .
- , .

H.264:

H.264.

- , .
- , .
- , .

CBR:

5.3.

«

»

(. 5.4).

BEWARD Home System Streaming **PTZ** Logout

Video OCX Protocol

Video OCX protocol setting :

- RTP over UDP
- RTP over RTSP(TCP)
- RTSP over HTTP
- MJPEG over HTTP
- Multicast mode

Multicast IP Address

Multicast H.264-1 Video Port

Multicast H.264-2 Video Port

Multicast MJPEG Video Port

Multicast Audio Port

Multicast TTL

Note:
This page only applies to video streams going to a DC Viewer.

. 5.4

RTP

UDP:

RTP

UDP.

RTP

RTSP(TCP):

RTP

RTSP

(TCP).

RTSP HTTP: RTSP HTTP.

(Wi-

Fi)

MJPEG HTTP: MJPEG HTTP.

MJPEG

HTTP.

Multicast mode:

IP

5.4. « »

(5.5).

[]

5

:

[

],

10

:

[

],

15

:

[

],

BEWARD Home System Streaming **PTZ** Logout

Video Format
Video Compression
Video OCX Protocol
Video Frame Skip
Audio

Video Frame Skip

- No skipping, default
- Frame skipping at 5 frame internal
- Frame skipping at 10 frame internal
- Frame skipping at 15 frame internal

Save

. 5.5

5.5.

« »

(. 5.6).

BEWARD Home System Streaming **PTZ** Logout

Video Format
Video Compression
Video OCX Protocol
Video Frame Skip
Audio

Audio

Transmission Mode:

- Full-duplex (Talk and listen simultaneously)
- Half-duplex (Talk or listen, not at the same time)
- Simplex (Talk only)
- Simplex (Listen only)
- Disable

Bit Rate: uLAW

. 5.6

- ()
- ()
- ()
- ()
- ()

- ALAW G.711 64 /
- uLAW G.711 64 /
- 16 Kbps G.726 16 /
- 24 Kbps G.726 24 /
- 32 Kbps G.726 32 /

- 40 Kbps G.726 40 /

!

[

].

6.

«PTZ»

PTZ,

: [] []

] []

] [] []

] []

] []

] []

] []

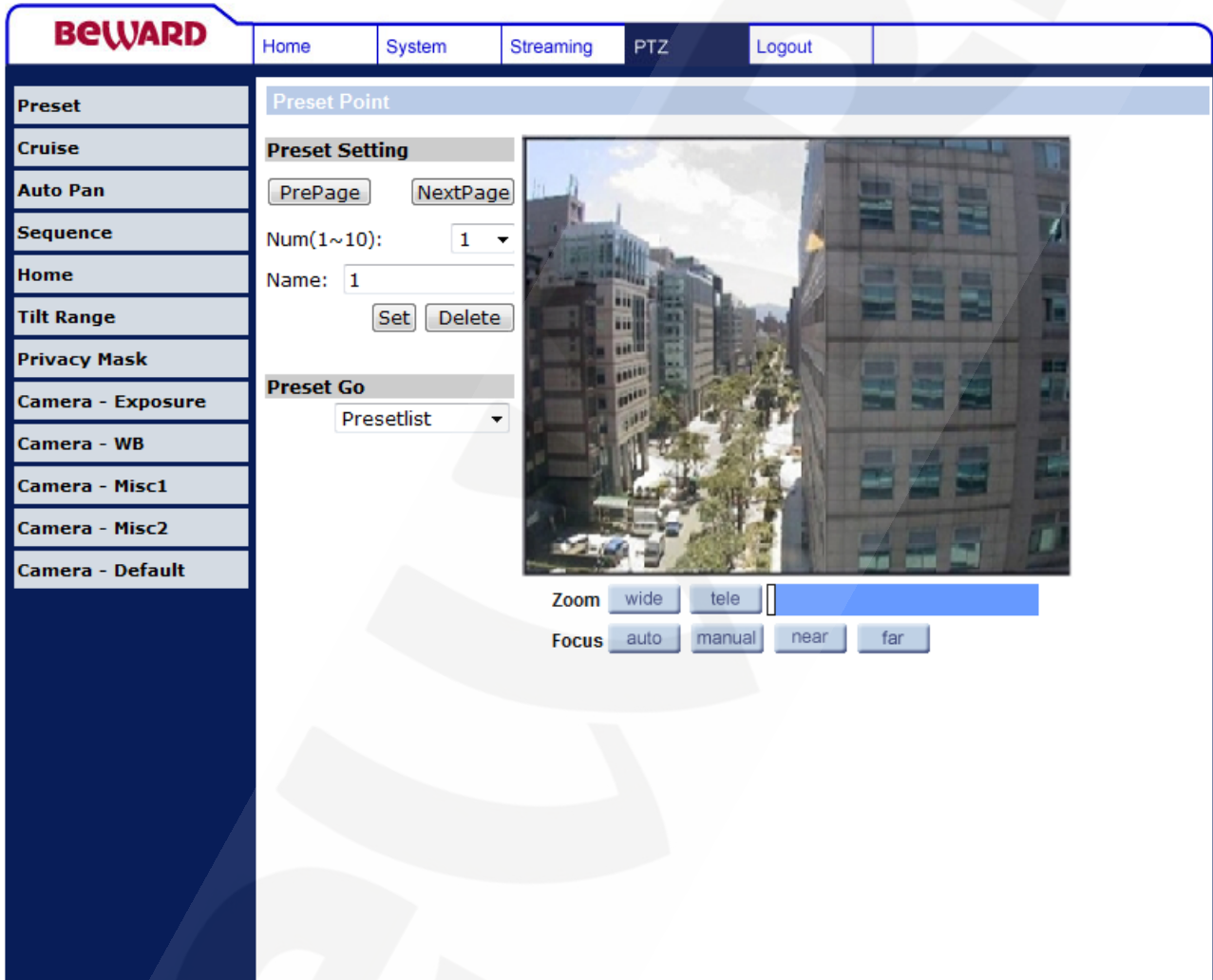
[] []

] []

] []

].

(6.1).



. 6.1

6.1.

«

»

(. 6.2).

256

(

).

10

[] []

].

BEWARD Home System Streaming PTZ Logout

Preset Point

Preset Setting

PrePage NextPage


Num(1~10): 1

Name: 1

Set Delete

Preset Go

Presetlist



Zoom wide tele

Focus auto manual near far

. 6.2

[]:

10

[]:

10

[]:

[]:

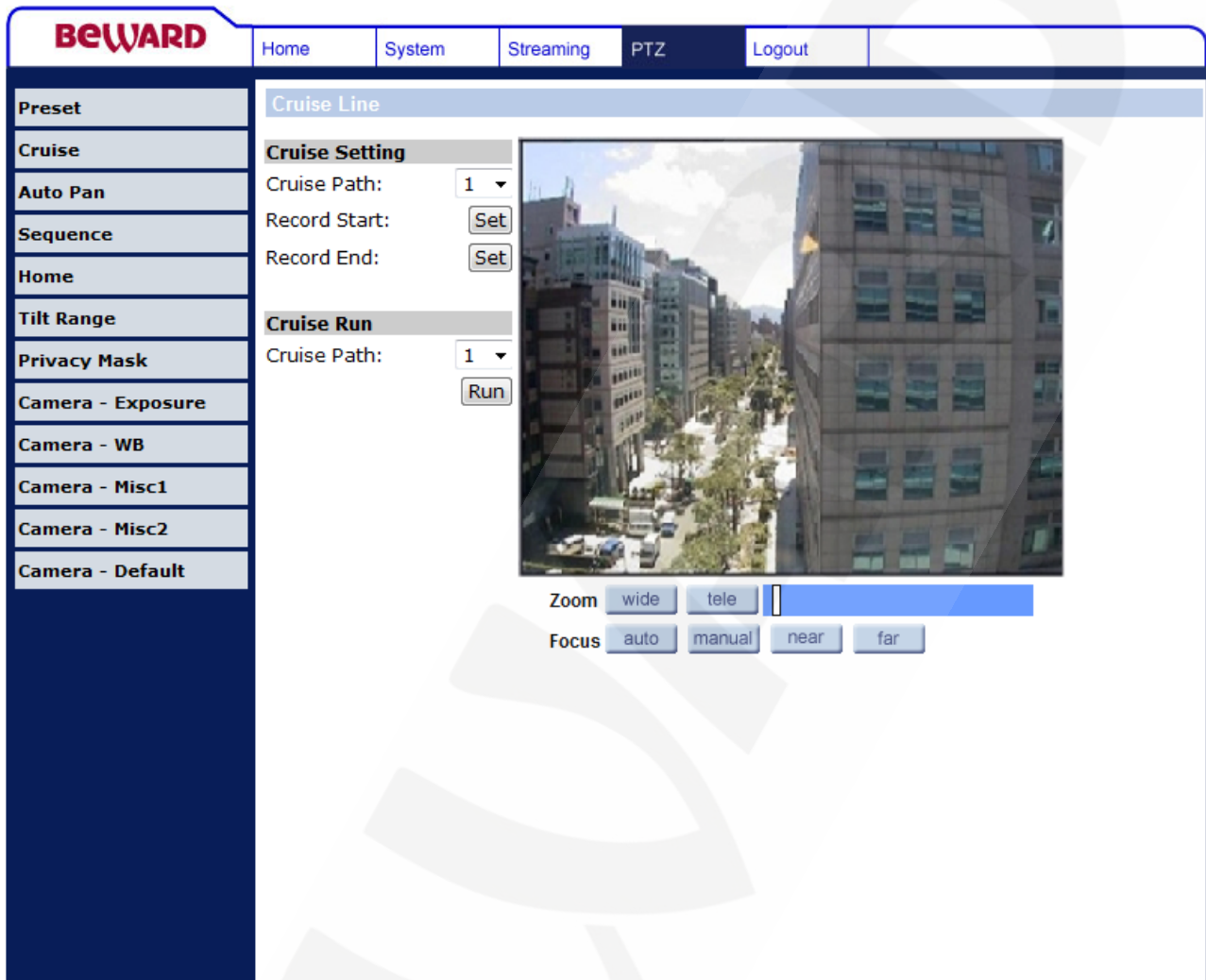
[]:

6.2.

«

»

(. 6.3).



. 6.3

8

[]:

1:

2:

3:

4:

([]).

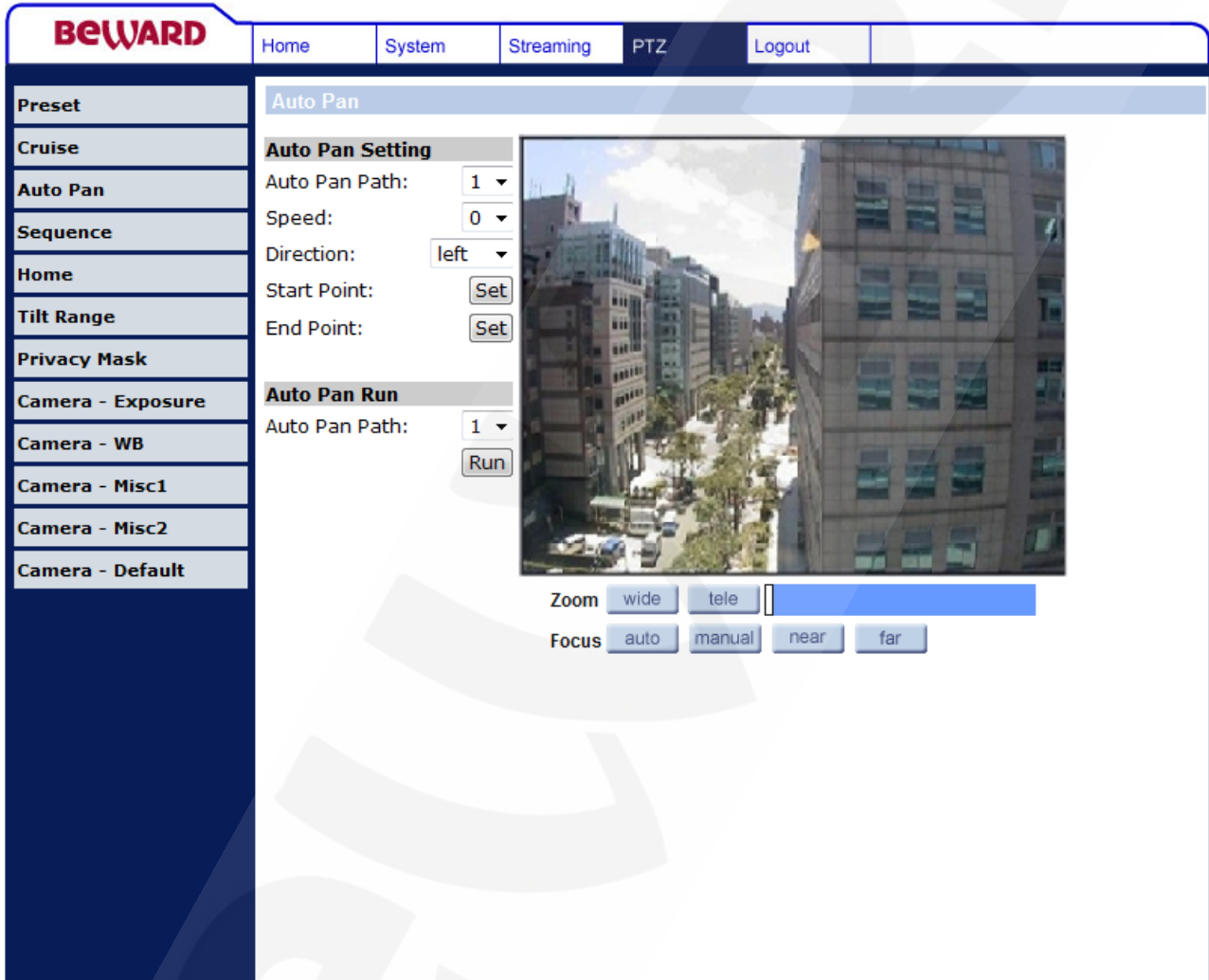
[].

5: [].

[].

6.3. « »

(. 6.4).



. 6.4

4

:

/

:

. 0 3

:

[]:

[]:

:

1: ([]).

2: ([]).

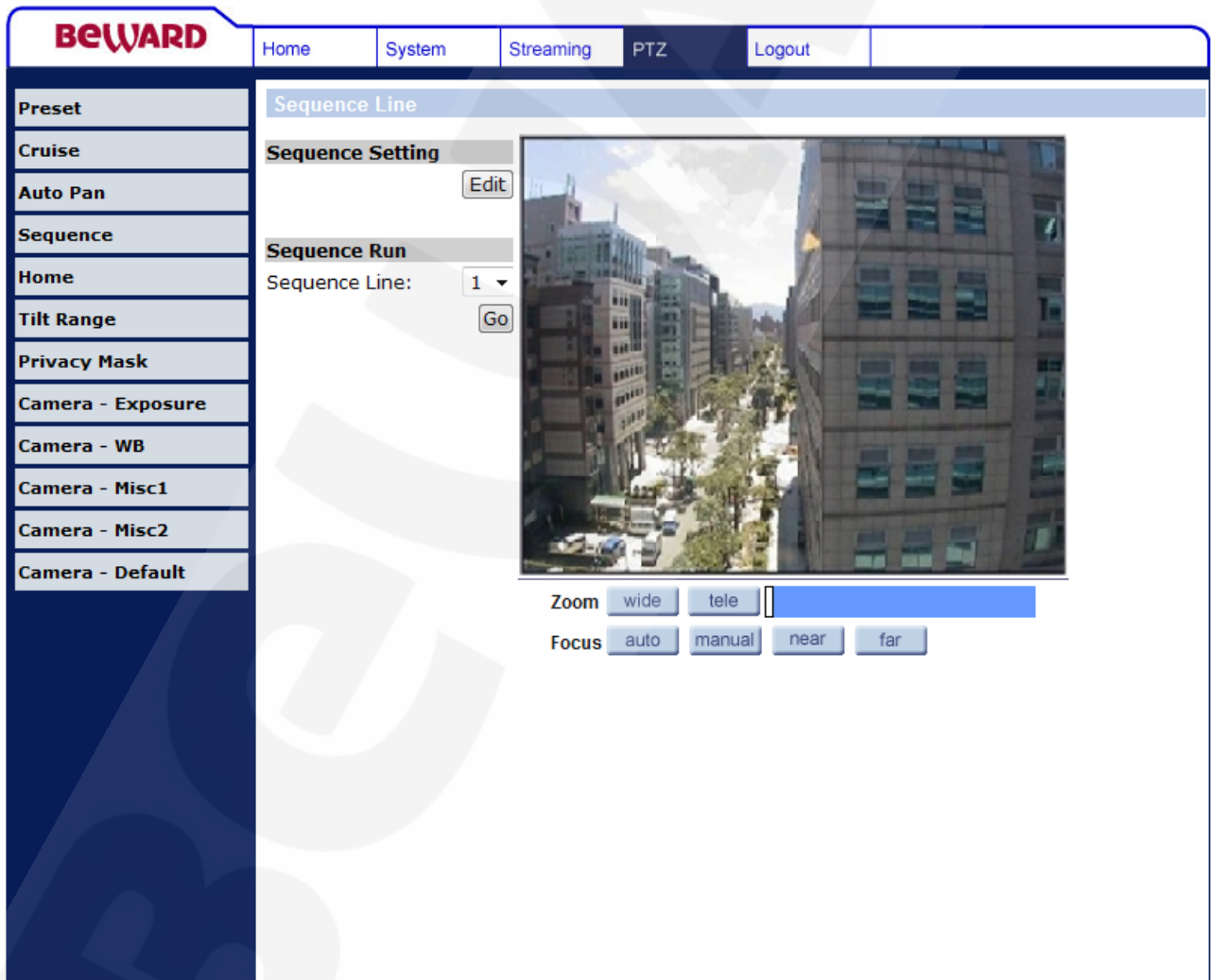
3: [].

4: [].

[].

6.4. « »

() (. 6.5).



. 6.5

8

64

[].

[].

6.6.

| Preset | Name | Dwell Time | Speed |
|--------|----------------|----------------------|----------------------|
| 1. | --no setting-- | <input type="text"/> | <input type="text"/> |
| 2. | --no setting-- | <input type="text"/> | <input type="text"/> |
| 3. | --no setting-- | <input type="text"/> | <input type="text"/> |
| 4. | --no setting-- | <input type="text"/> | <input type="text"/> |
| 5. | --no setting-- | <input type="text"/> | <input type="text"/> |
| 6. | --no setting-- | <input type="text"/> | <input type="text"/> |
| 7. | --no setting-- | <input type="text"/> | <input type="text"/> |
| 8. | --no setting-- | <input type="text"/> | <input type="text"/> |
| 9. | --no setting-- | <input type="text"/> | <input type="text"/> |
| 10. | --no setting-- | <input type="text"/> | <input type="text"/> |
| 11. | --no setting-- | <input type="text"/> | <input type="text"/> |
| 12. | --no setting-- | <input type="text"/> | <input type="text"/> |
| 13. | --no setting-- | <input type="text"/> | <input type="text"/> |
| 14. | --no setting-- | <input type="text"/> | <input type="text"/> |
| 15. | --no setting-- | <input type="text"/> | <input type="text"/> |

. 6.6

15

].

6.5.

(. 6.7).

BEWARD Home System Streaming PTZ Logout

Home Function

Home Setting

Switch: On

Time: 1 [1..128Min]

Type: Preset

Line: 2(Preset_2)



Zoom wide tele

Focus auto manual near far

Navigation: « »

. 6.7

6.6.

«

»

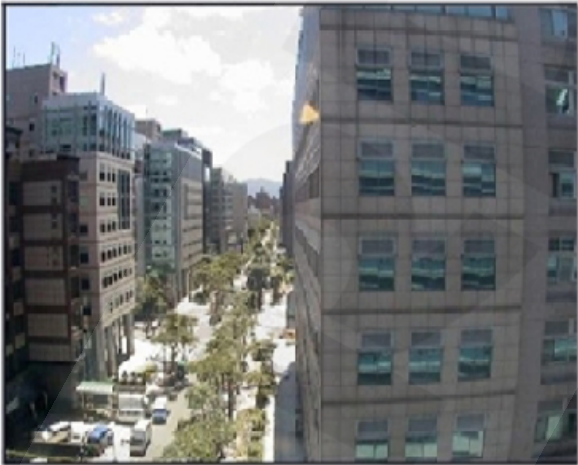
(. 6.8).

BEWARD Home System Streaming PTZ Logout

Preset
Cruise
Auto Pan
Sequence
Home
Tilt Range
Privacy Mask
Camera - Exposure
Camera - WB
Camera - Misc1
Camera - Misc2
Camera - Default

Tilt Angle

Angle Setting
Min: [-10..10]
Max: [80..100]



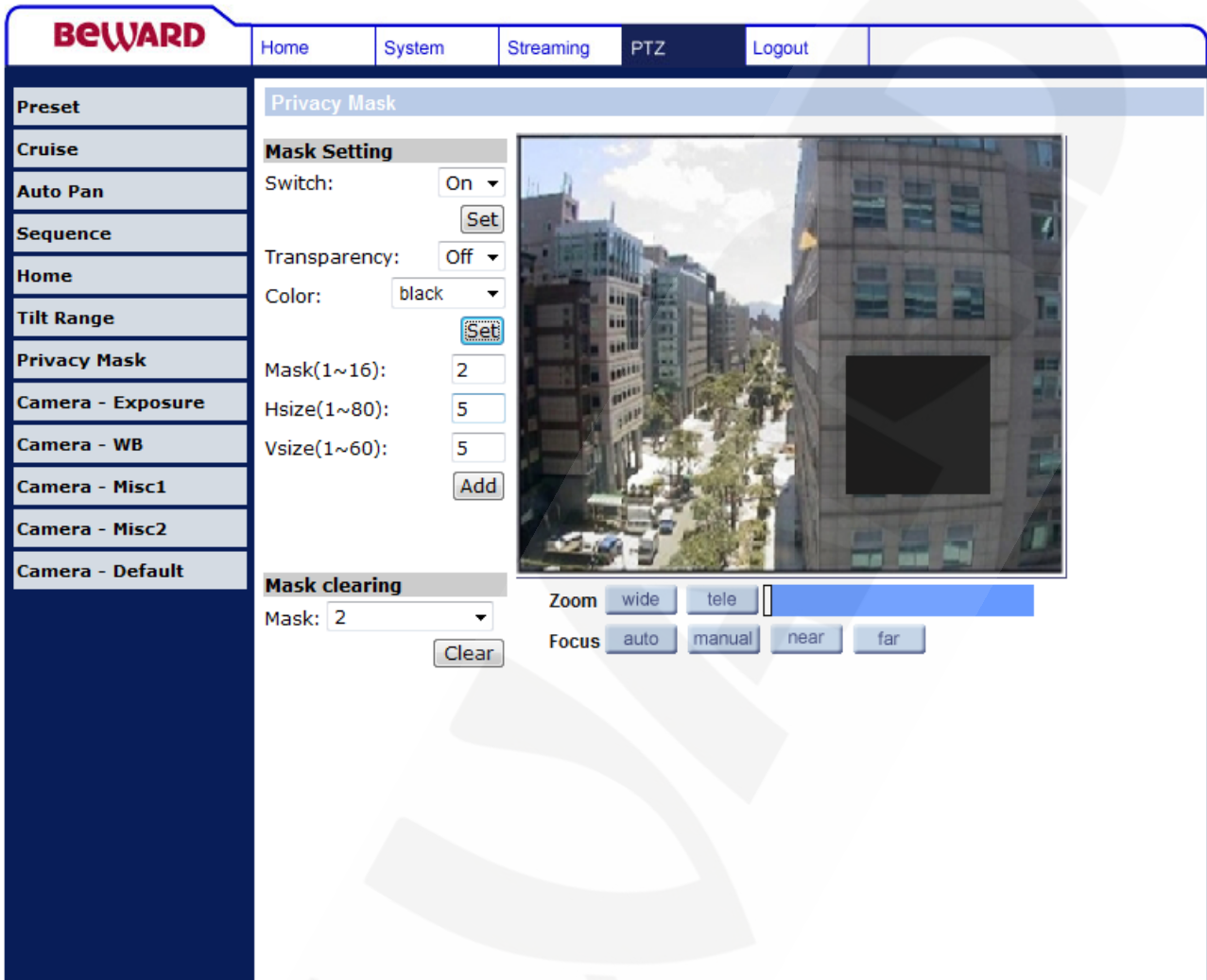
Zoom
Focus

. 6.8

-10° 100°.

6.7. « »

16



. 6.9

(1 16).

6.8.

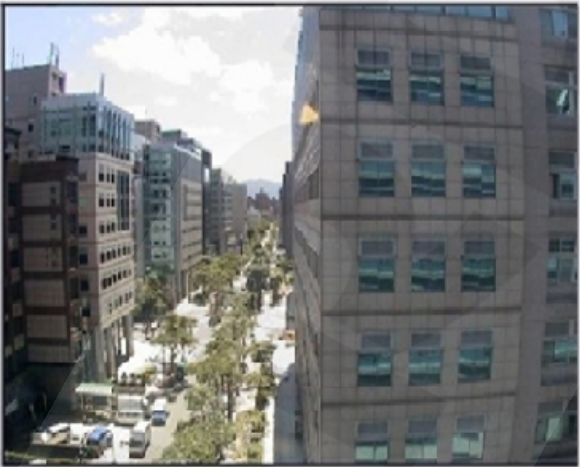
(. 6.10).

BEWARD Home System Streaming PTZ Logout

Exposure

Exposure Mode

- Full Auto
- Shutter Priority
 - 1/50
- Manual
 - Shutter 1/25
 - Gain 6
 - Set



Zoom wide tele

Focus auto manual near far

. 6.10

1/10000

6.9.

«

»


(. 6.11).

BEWARD Home System Streaming PTZ Logout

White balance

- Auto
- Indoor
- Outdoor
- ATW
- Manual

Rgain: [0..255]
Bgain: [0..255]



Zoom
Focus

. 6.11

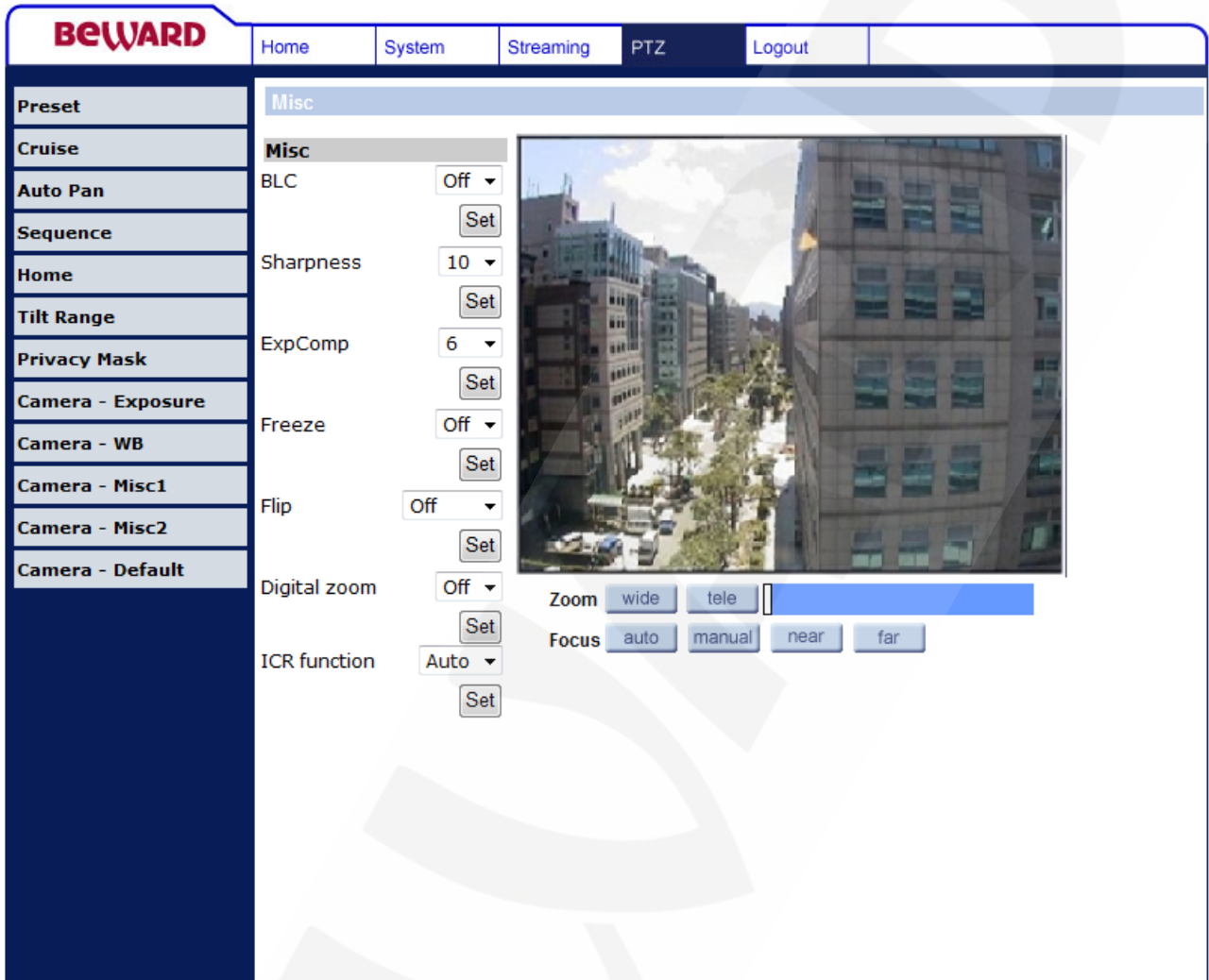
ATW:

2000 10000°

6.10.

« »

(. 6.12).



. 6.12

. BLC (Back Light Compensation) -

()

180°.

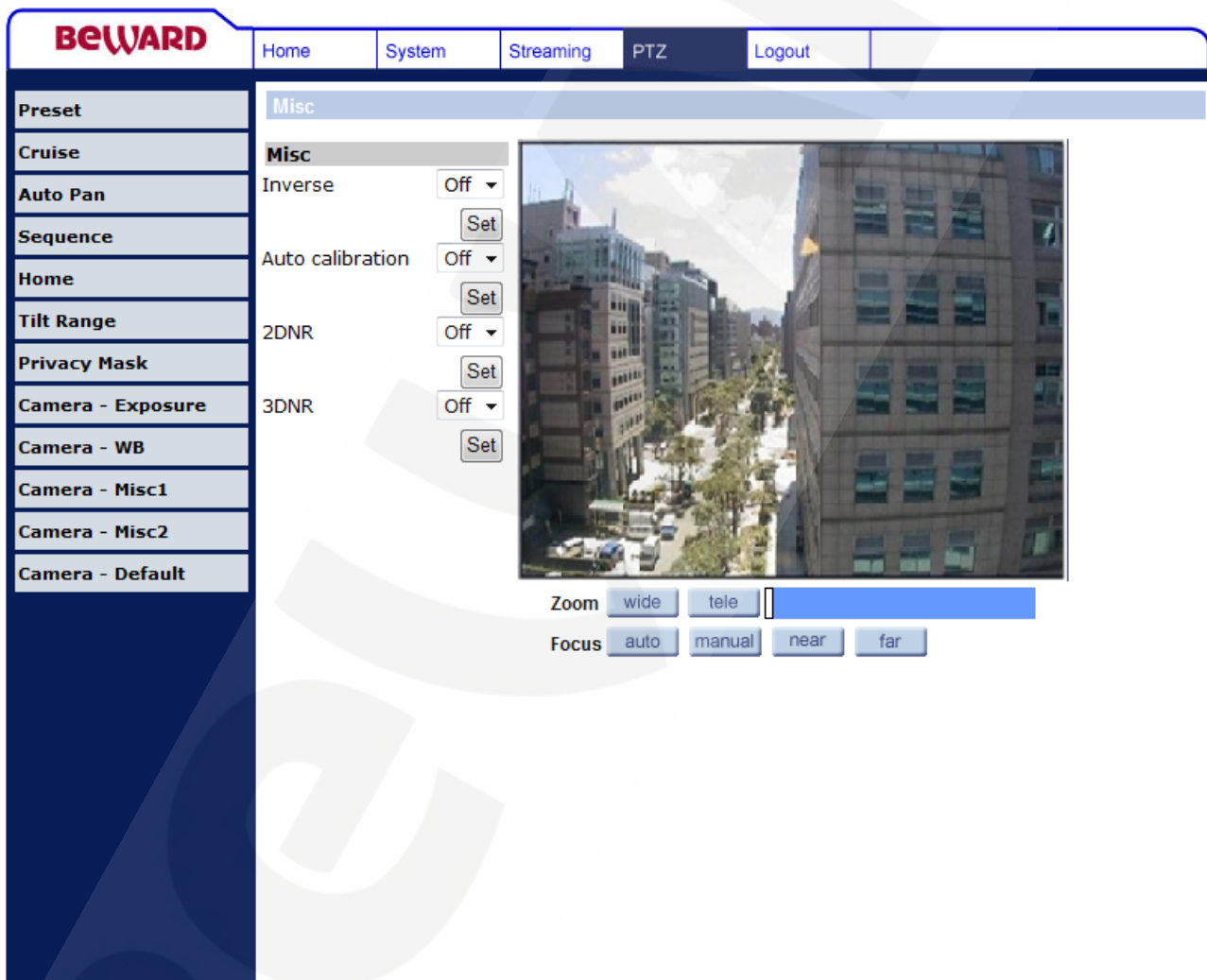
: / 12

-
-
-

6.11. « »

(

6.13).



. 6.13

[]

2NDR:

2NDR.

3NDR:

3NDR.

2DNR/3DNR

(6.14).

3D NR выкл.



3D NR вкл.



. 6.14

6.12.

« »


PTZ

(. 6.15).

BEWARD Home System Streaming PTZ Logout

Preset
Cruise
Auto Pan
Sequence
Home
Tilt Range
Privacy Mask
Camera - Exposure
Camera - WB
Camera - Misc1
Camera - Misc2
Camera - Default

Default
Default
Restore camera settings and lose any changes?
Set Default



Zoom wide tele
Focus auto manual near far

. 6.15

The screenshot shows the BEWARD web interface. At the top, there is a navigation bar with the BEWARD logo and menu items: Home, System, Streaming, PTZ, and Logout. The main content area displays a video stream titled "Continuous AF" with a timestamp of "2011/03/03 15:47". A Windows security warning dialog box is overlaid on the video, with the following text:

Безопасность Windows

Для входа на сервер 192.168.0.250 по адресу NetworkPTZ нужны имя пользователя и пароль.

Предупреждение: Сервер требует передачи имени пользователя и пароля через небезопасное соединение (будет выполнена обычная проверка подлинности).

Below the text are input fields for "Пользователь" (Username) and "Пароль" (Password), and a checkbox for "Запомнить учетные данные" (Remember credentials). There are "OK" and "Отмена" (Cancel) buttons at the bottom of the dialog.

Below the video stream, there are controls for video format (MJPEG selected, H.264), zoom (wide, tele), and focus (auto, manual, near, far). Bitrate information is also displayed: MJPEG bitrate: middle compression, middle quality; H.264 bitrate: low compression, high quality.

. 7.1

[Logout] –