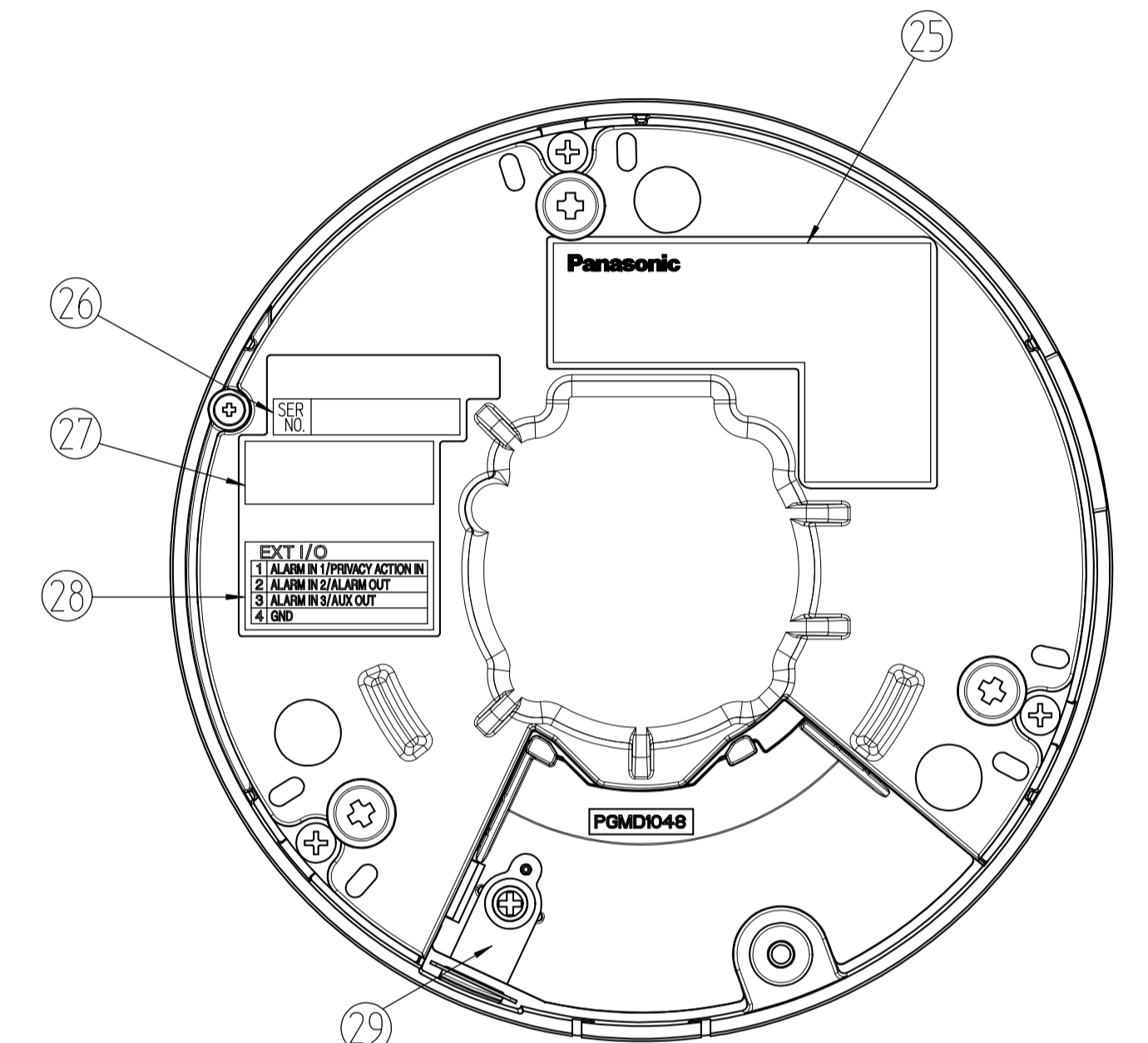
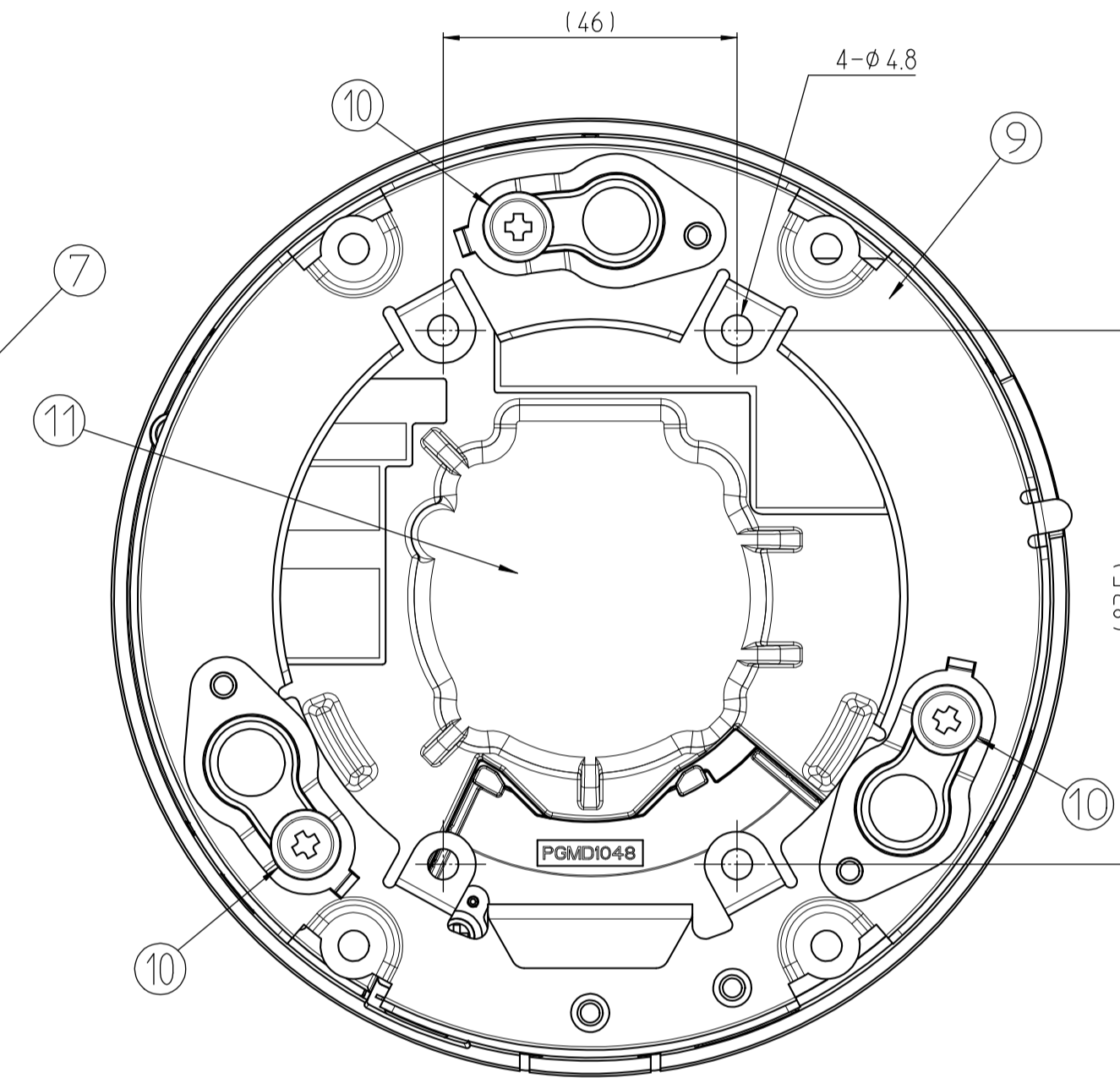
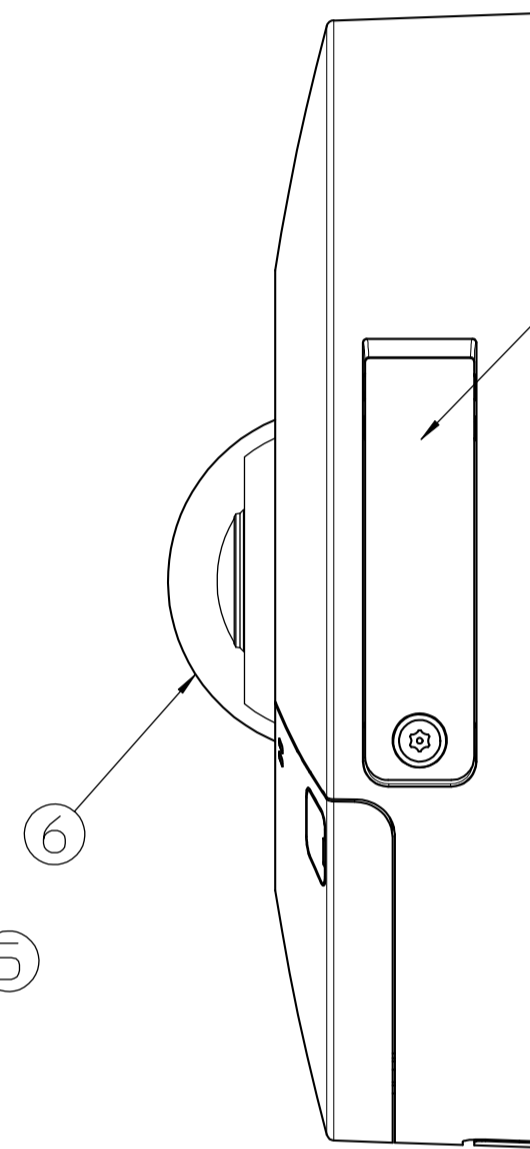
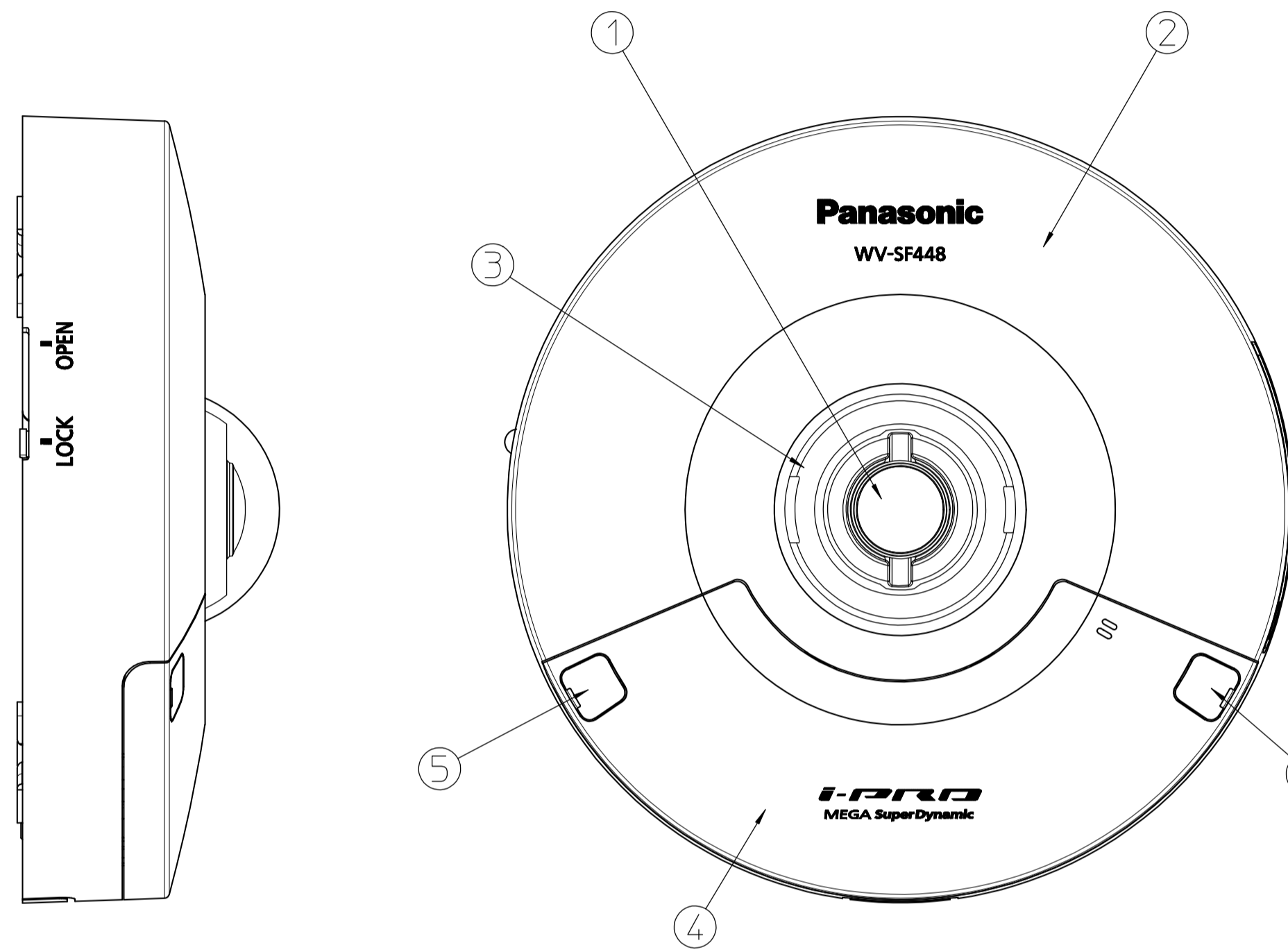
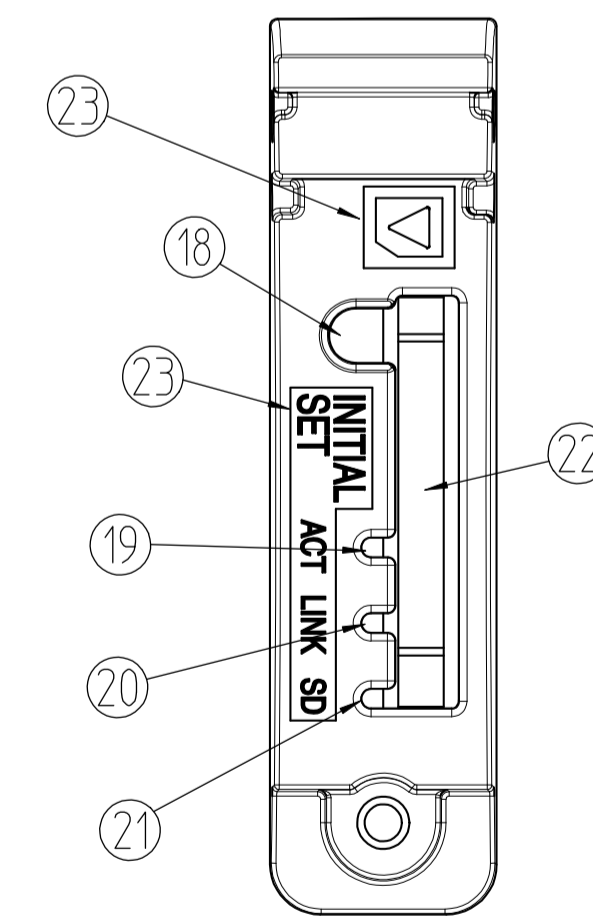
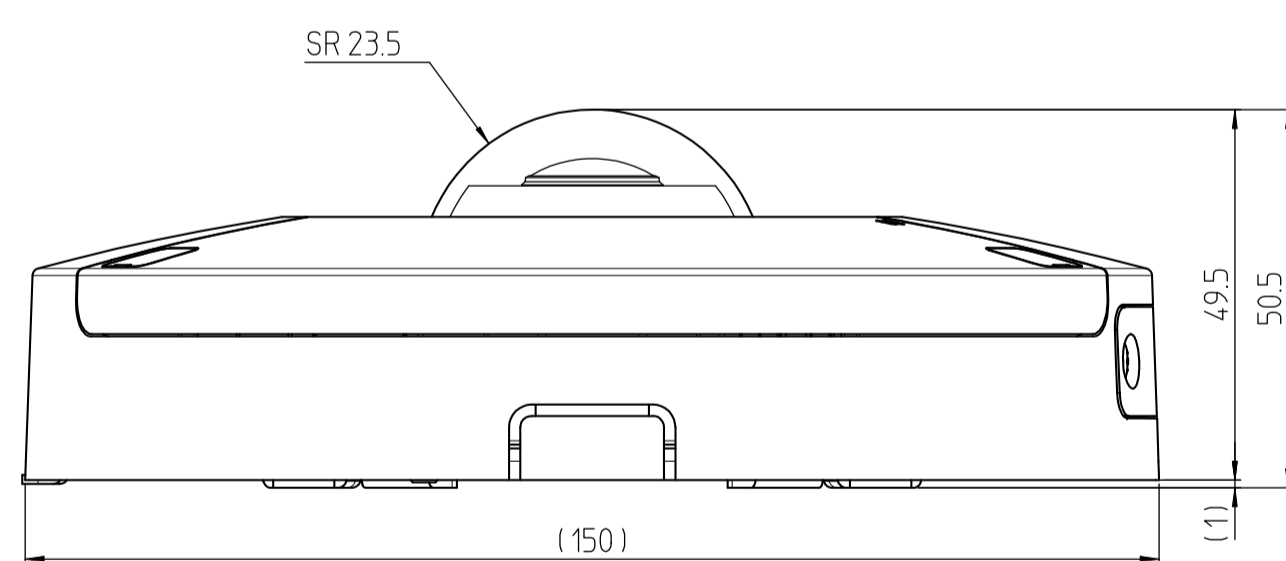


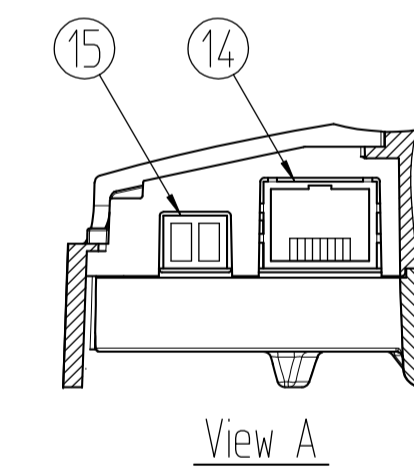
Privacy Mode ON



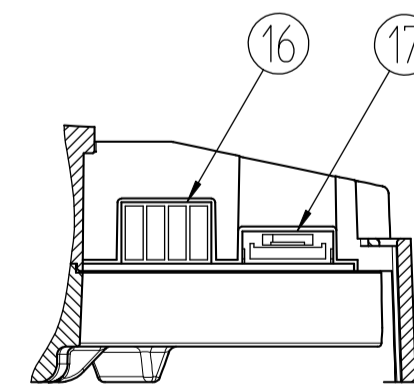
Without Attachment Plate



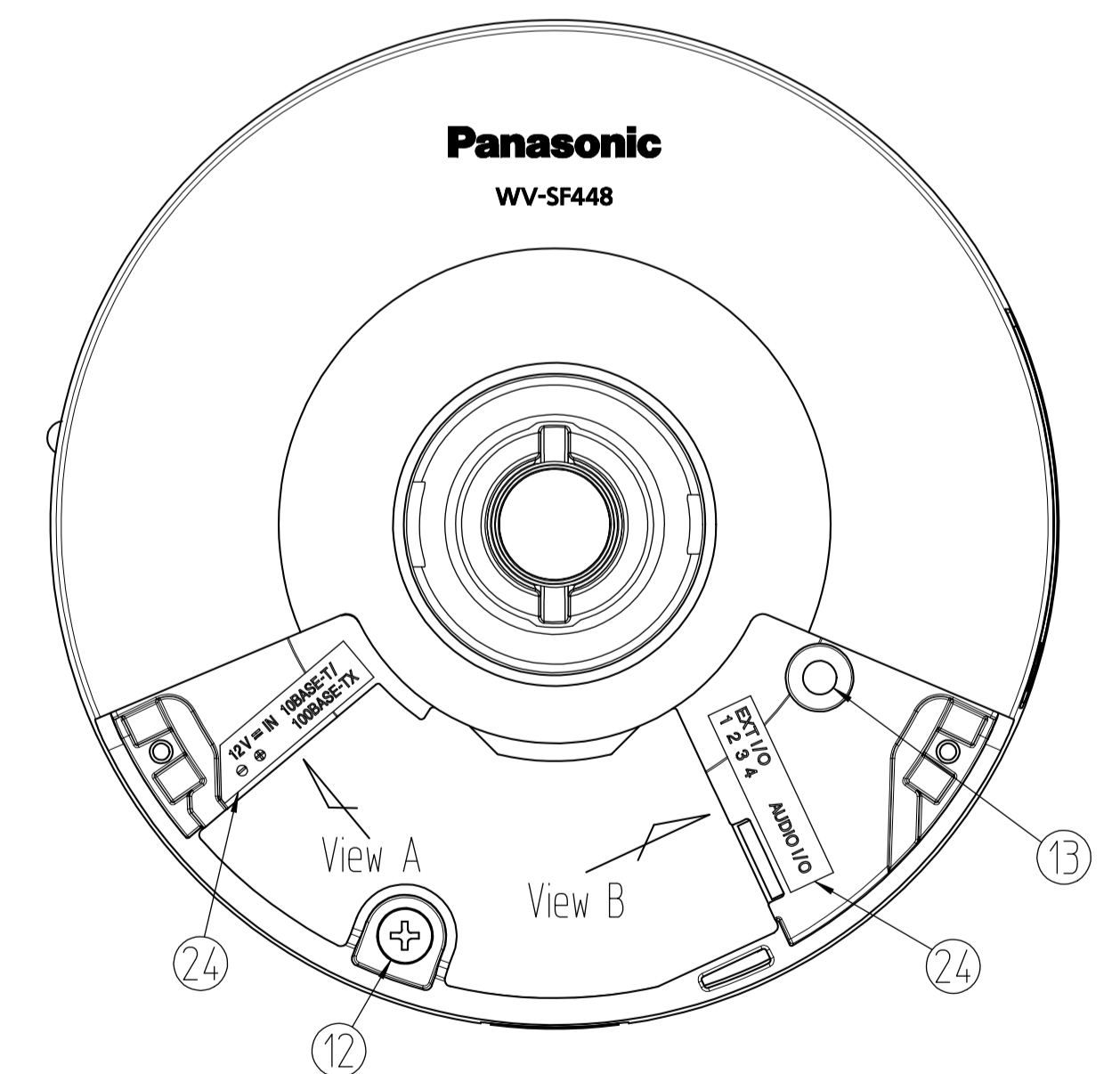
Inside of SD-slot cover (S:2/1)



View A



View B



Without Upper case Sub cover

No.	PARTS NAME	QTY	MATERIAL & SIZE	TREATMENT	REMARK
29	Sub cover sheet	1	PC resin film		
28	Alarm Label B	1	Polyester film	Printing	
27	Code Label	1		Printing	
26	Serial No. Label	1	Polyester film	Printing	
25	Name Label	1	Polyester film	Printing	
24	Alarm Label A	2	Polyester film	Printing	
23	SD Slot Label	1	Polyester film	Printing	
22	SD memory card slot	1			
21	SD memory card error indicator LED	1			
20	Link indicator LED	1			
19	Access indicator LED	1			
18	INITIAL SET button	1			
17	Audio cable connector	1			
16	External I/O terminals	1			
15	12V DC power supply terminal	1			
14	Network connector (RJ45)	1			
13	Built in microphone	1			
12	Camera Lock Screw	1	Stainless Steel		
11	Lower Case	1	Aluminium Alloy Decasting	Painting	
10	Camera Mount Screw	3	Stainless Steel		
9	Attachment plate	1	Stainless Steel		
8	Camera Lower Cover	1	PC resin		
7	SD-Slot Cover	1	Aluminium Alloy Decasting	Painting	
6	Dome Cover	1	PC resin (Clear)		
5	Screw Cover	1	ABS resin		
4	Upper Case Sub Cover	1	Aluminium Alloy Decasting	Painting/Printing	
3	Inner Dome	1	PC resin		
2	Upper Case	1	Aluminium Alloy Decasting	Painting/Printing	
1	Fish Eye Lens	1			