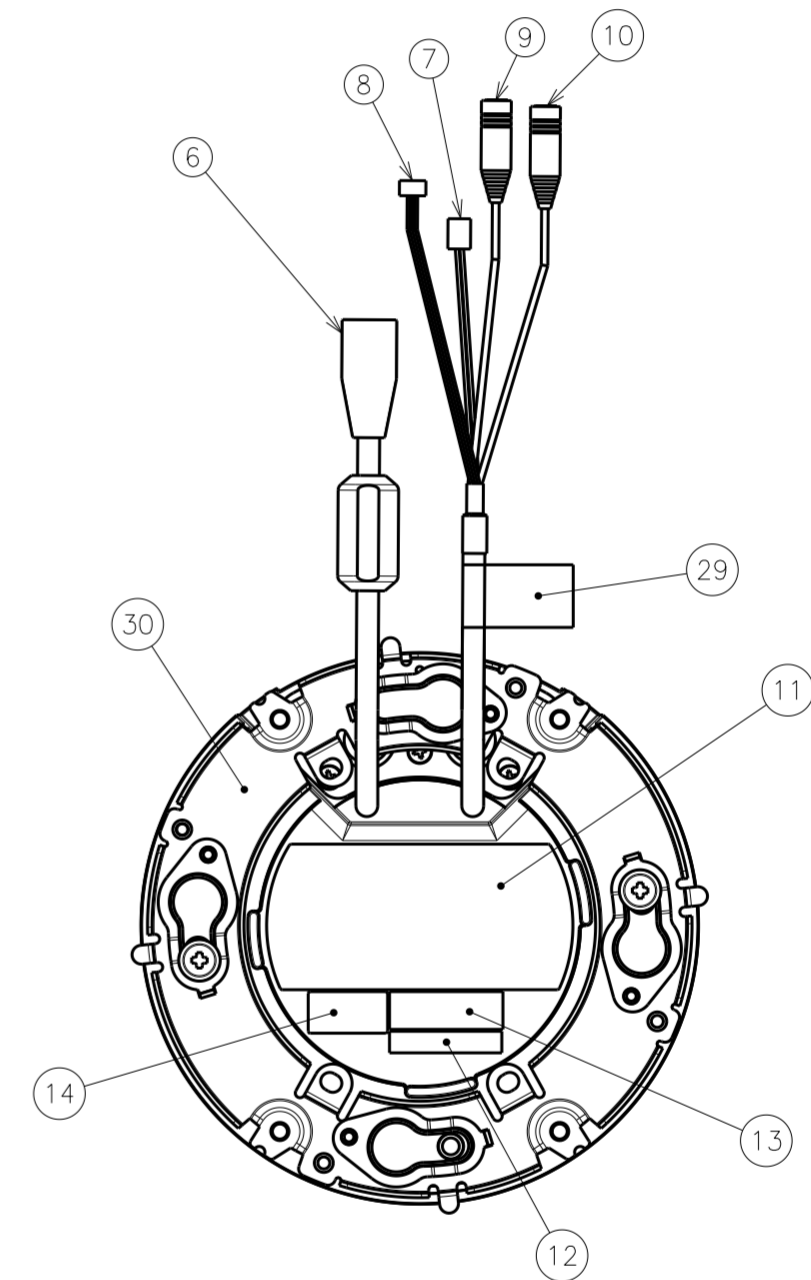
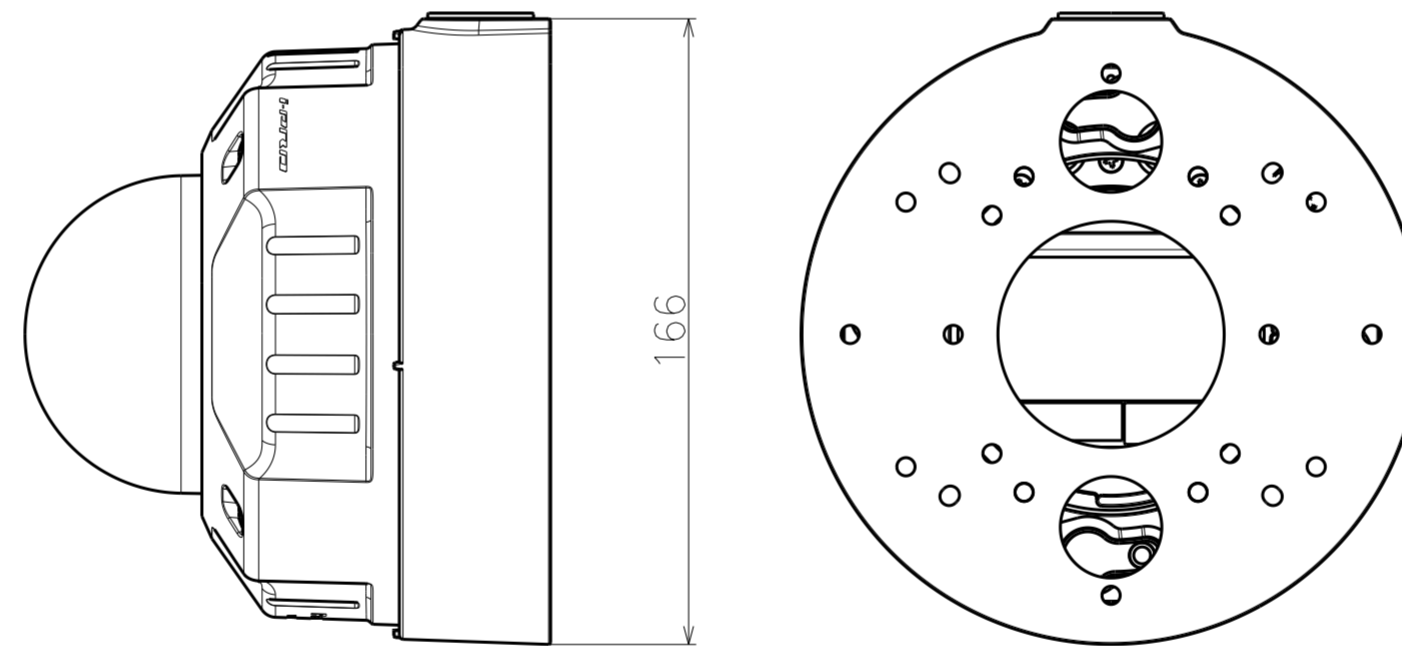
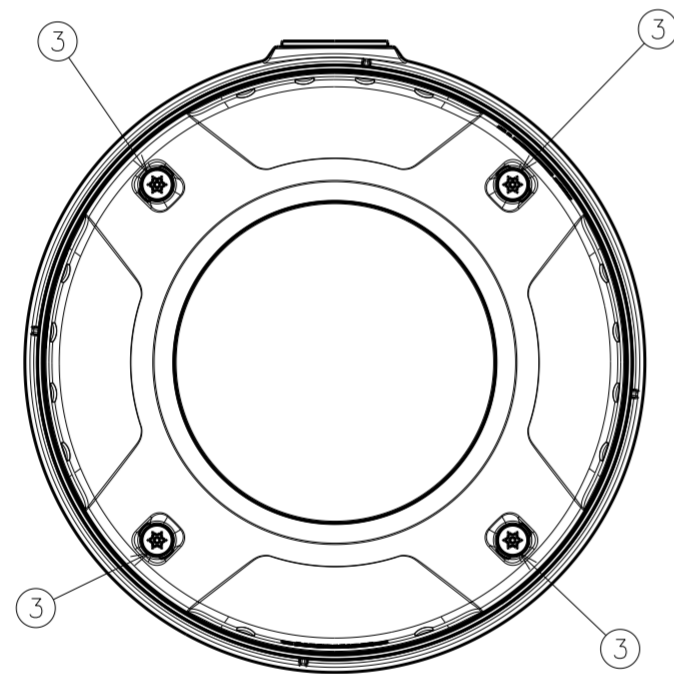
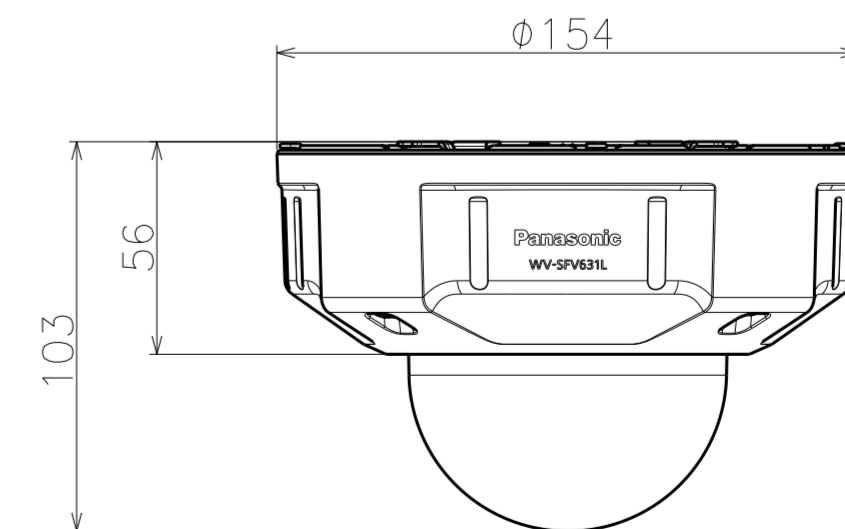
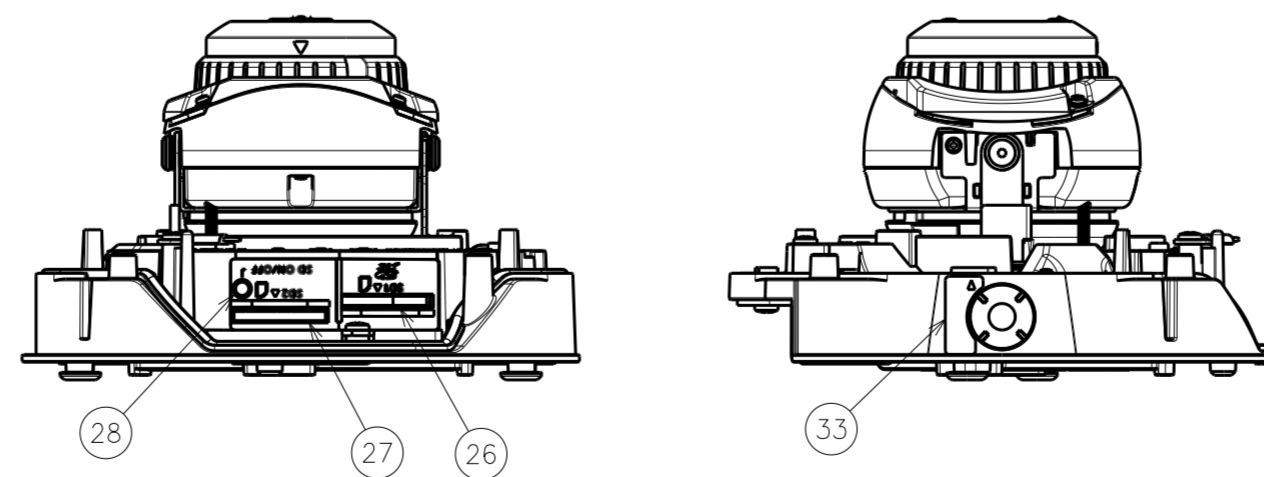
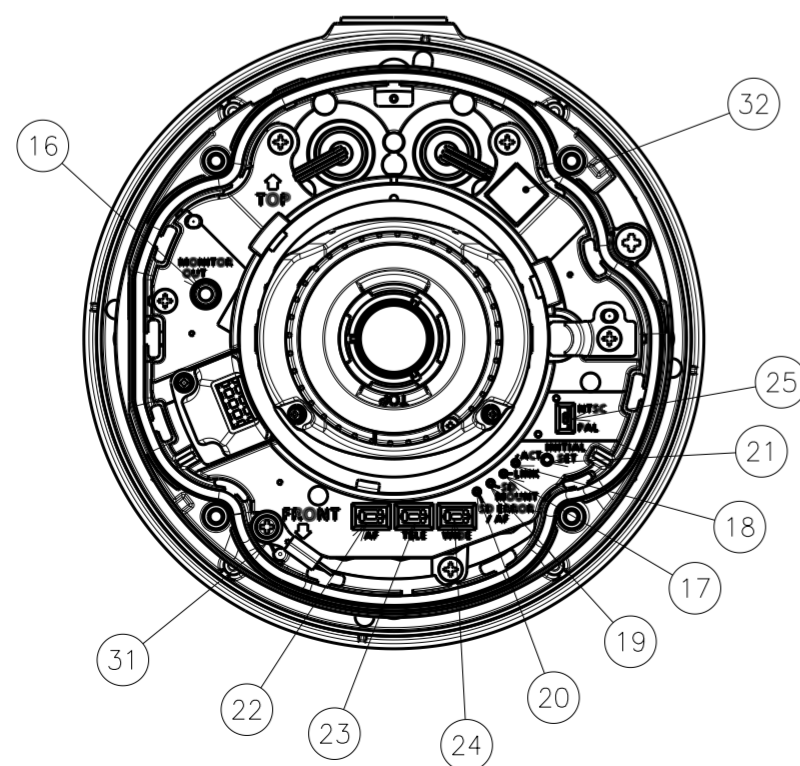


NO.	Part Name	Material	Process-Remark
1	Clear Dome Cover	PC	With a Protection Film
2	Top Cover	Aluminium Alloy Diecasting	
3	Top Cover Lock Screw	Stainless steel	
4	Mounting Base Cover	Aluminium Alloy Diecasting	
5	Pipe Hole Cap	PA	
6	Network Cable		
7	Power Cable		
8	Alarm I/O Cable		
9	Audio Out Cable		Black
10	Mic./Line In Cable		White
11	Name Plate Label	Polyester Film	
12	Serial Number Label	Polyester Film	
13	Code Label		
14	CE-PTC Label		
15	Production Year Label		
16	MONITOR OUTPUT Jack		
17	Link LED (LINK)		
18	ACCESS LED (ACT)		
19	SD MOUNT LED		
20	SD ERROR / AF LED		
21	INITIAL SET Switch		
22	AF Switch (AF)		
23	TELE Switch (TELE)		
24	WIDE Switch (WIDE)		
25	NTSC/PAL Switch		
26	SD CARD Slot 1		
27	SD CARD Slot 2		
28	SD ON/OFF Switch		
29	Wiring Attention Label	Polyester Film	
30	Attachment Assy		
31	Support wire for installation	SUS304	
32	Data Matrix Label	Polyester Film	
33	Positioning Label	Polyester Film	



**With Attachment Plate**



**Model WV-SFV631L**