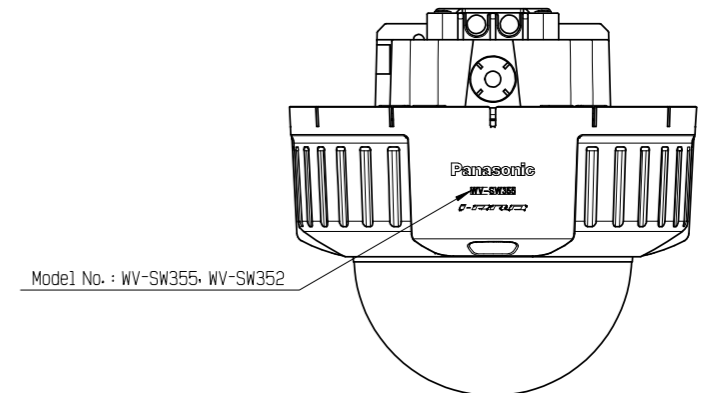
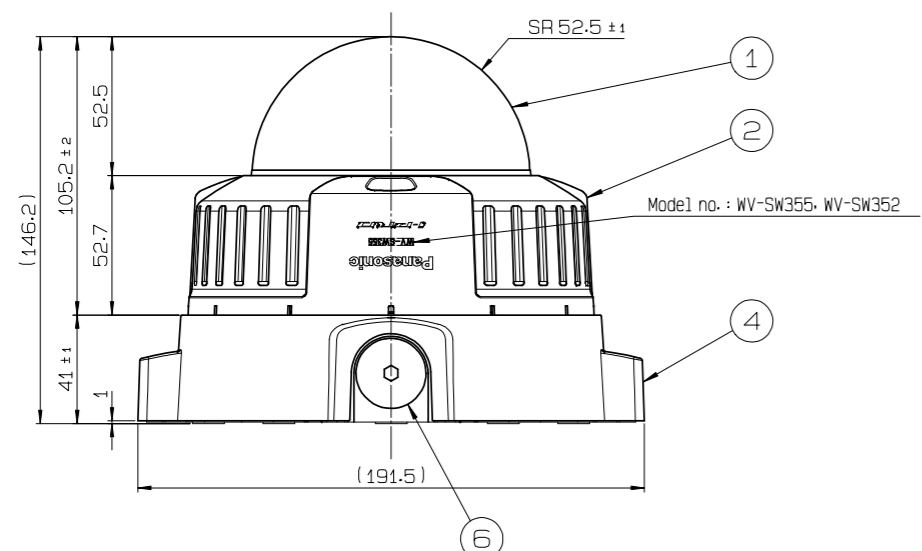
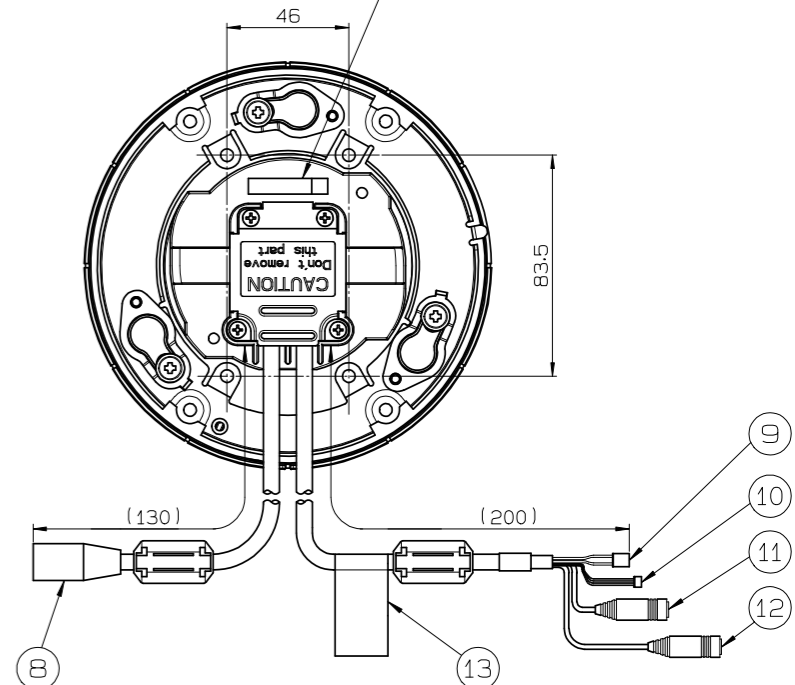
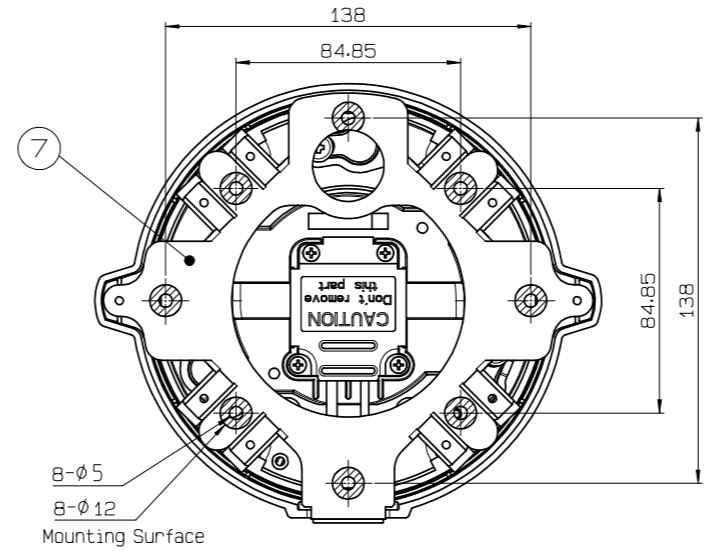
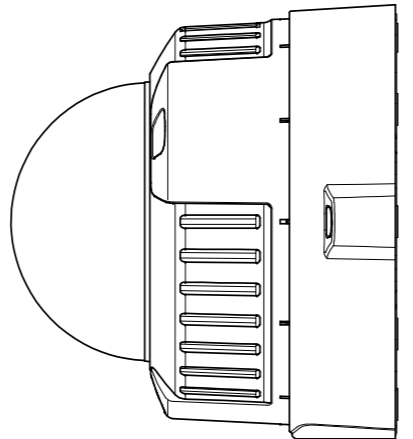
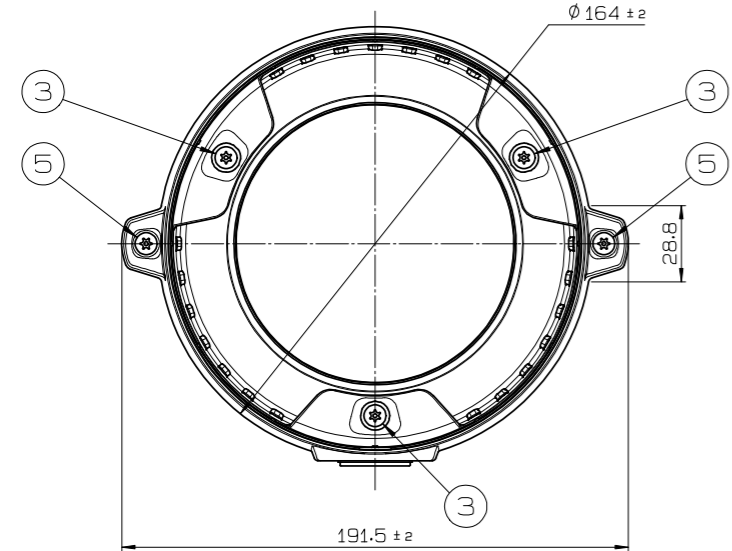
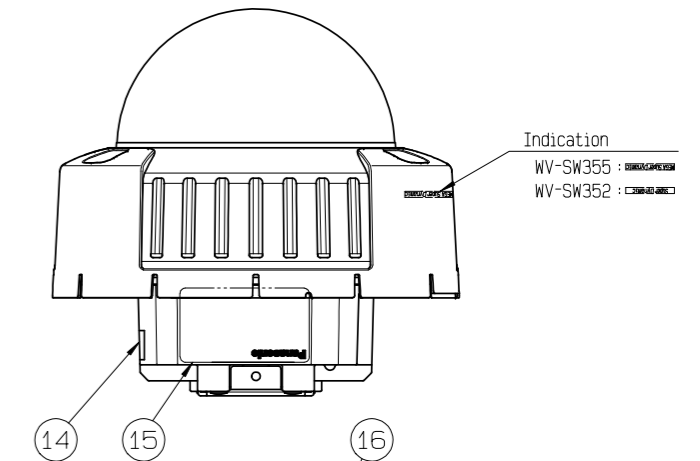
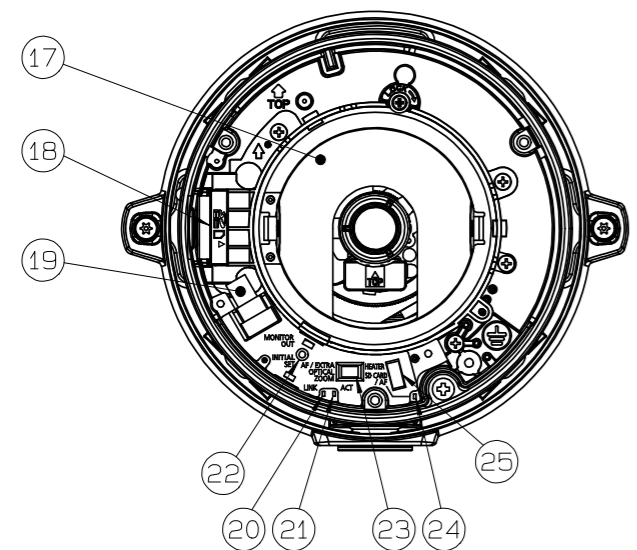


No.	Part Name	Material	Process · Remark
1	Clear Dome Cover	Polycarbonate Resin	With a Protection Film
2	Top Cover	Aluminium Alloy Diecasting	Printing · Melamine Resin Coating (Light Gray)
3	Top Cover Lock Screw	Stainless steel	---
4	Mounting Base Cover	Aluminium Alloy Diecasting	Melamine Resin Coating (Light Gray)
5	Mounting Base Cover Lock Screw	Stainless steel	---
6	Pipe Hole Cap	Polyamide Resin	---
7	Mounting Base Angle	Aluminium Alloy Diecasting	---
8	Network Cable	---	---
9	Power Cable	---	---
10	Alarm I/O Cable	---	---
11	Audio Out Cable	---	Black
12	Mic./Line In Cable	---	White
13	Wiring Attention Label	Polyester Film	Printing
14	CAUTION Label	Polyester Film	Printing
15	Name Plate Label	Polyester Film	Printing
16	Serial Number Label	Polyester Film	Printing
17	Inner Dome	ABS Resin	---
18	SD Memory Card Slot	---	---
19	Monitor Output Jack	---	---
20	Link LED (LINK)	---	---
21	Access LED (ACT)	---	---
22	INITIAL SET Switch	---	---
23	AF Switch (AF)	---	---
24	SD Memory Card Error / AF LED	---	---
25	Heater Connector	---	---

Sym.	Item or Parts No.	Name	Qty	Material & Size	Treatment	Remark
------	-------------------	------	-----	-----------------	-----------	--------



TENTATIVE

F:\11name\ryamauchi\wv-sw355\appearance\110a2740aa-wv-sw355e-352e

Sym.	Date	Revision	Sign	Checked

Unit:mm		Sym.	Item or Parts No.	Name	Qty	Material & Size	Treatment	Remark
third angle system		Material & Size		Process		Weight Approx: 16 kg		Type
Scale		Designed		Drawn		Checked		Approved
1:2		Yamauchi 2010.10.14		Yamauchi 2010.10.14				
								D.W.G. Name
								APPEARANCE
								DWG. or Part No.
								110A2740AA
								Ref.No.