

1

2

3

4

5

6

7

8

A

B

C

D

E

F

A

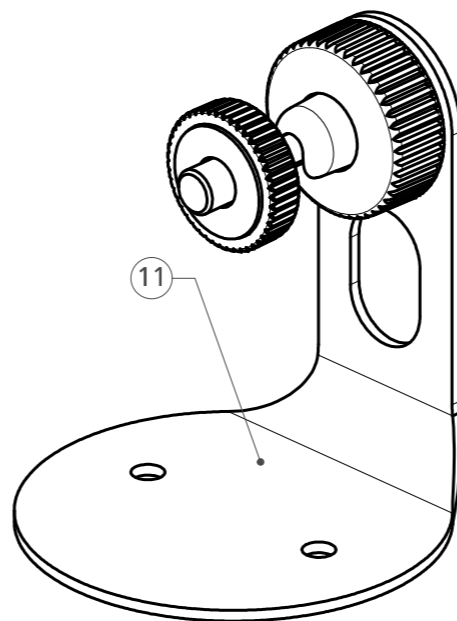
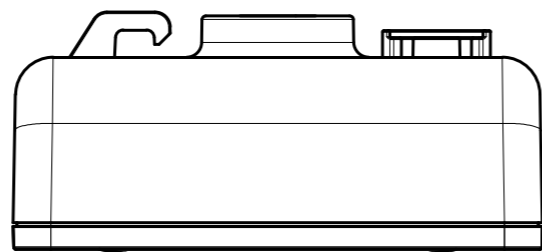
B

C

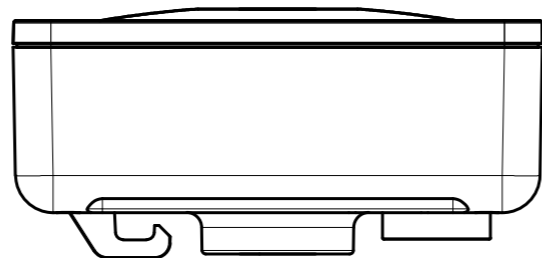
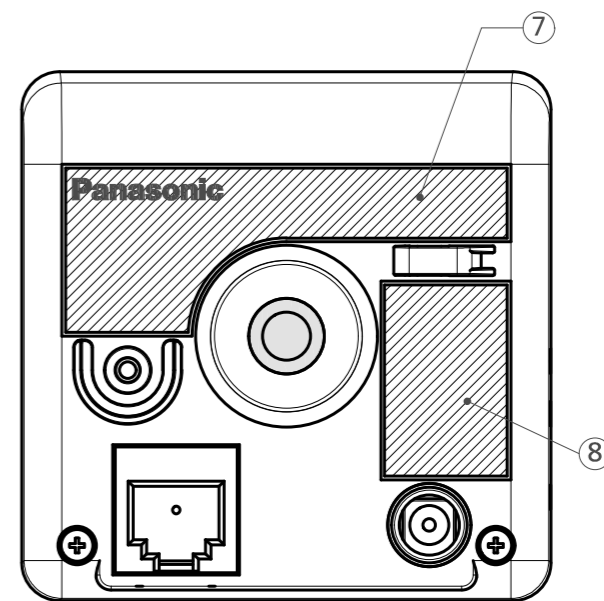
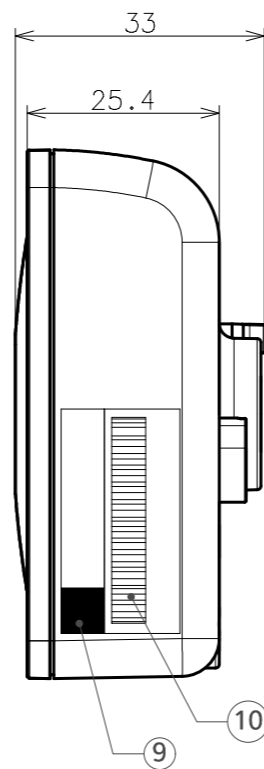
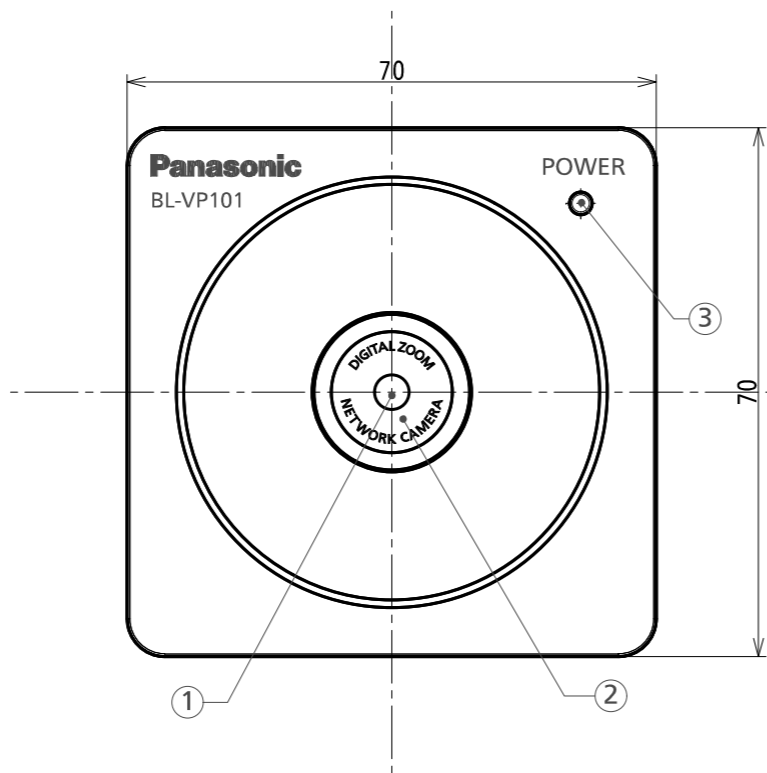
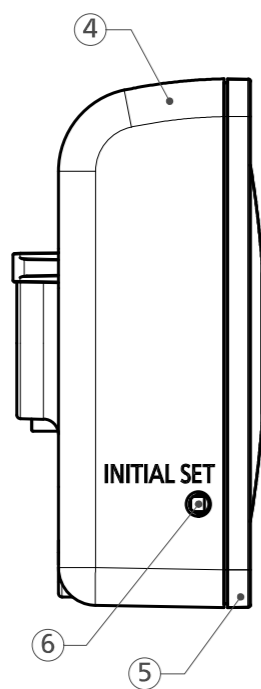
D

E

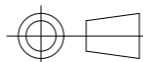
F



SYM	NAME	QTY.	MATERIAL & SIZE	TREATMENT	REMARK
1	LENS	1			
2	LENS SHEET	1	PC		
3	POWER LED	1	ABS		
4	REAR CABINET	1	ABS		
5	FRONT CABINET	1	ABS		
6	INITIAL SET SW	1			
7	NAME LABEL	1	POLYESTER FILMS		
8	FCC LABEL	1	POLYESTER FILMS		
9	SERIAL No. LABEL	1	POLYESTER FILMS		
10	CODE LABEL	1	POLYESTER FILMS		
11	FLEXIBLE STAND	1			
12		1			
13		1			
14		1			
15		1			



Unit:mm



SCALE		DESIGNED	DRAWN	CHECKED	APPROVED	WEIGHT:Approx. 75g	MODEL	<b>BL-VP101P</b>
1 : 1		S.IKEGAMI 2012.01.27	S.IKEGAMI 2012.01.27				NAME	箱入規格/Main Assembly Standards <外觀図>
							DRAWING/ Part NO.	Page M-Mb1 of M-Mb1
							REF.NO.	ISSUE 1-1 /